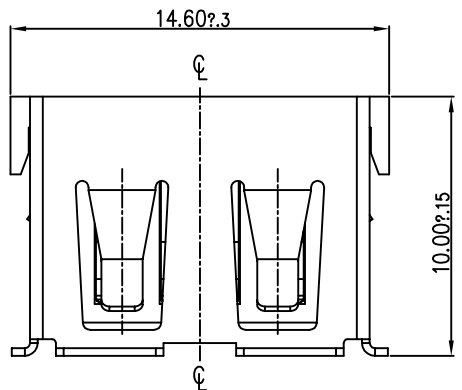


REV.	ECN. NO.	APPD.
A	DWG REL	
B	T-EC07025	Ryan 02/08/07
B1	K-EC08029	Allon 5/5/08
B2	K-EC10036	Yufengjin 8/11/10



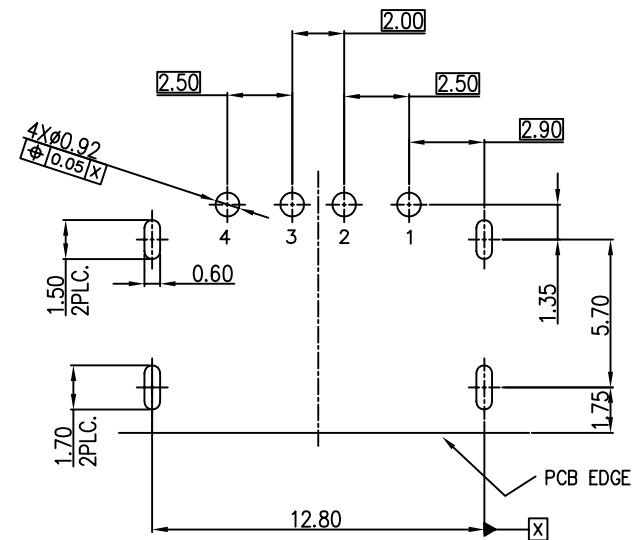
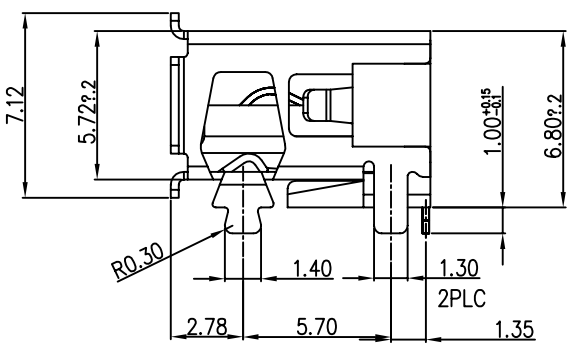
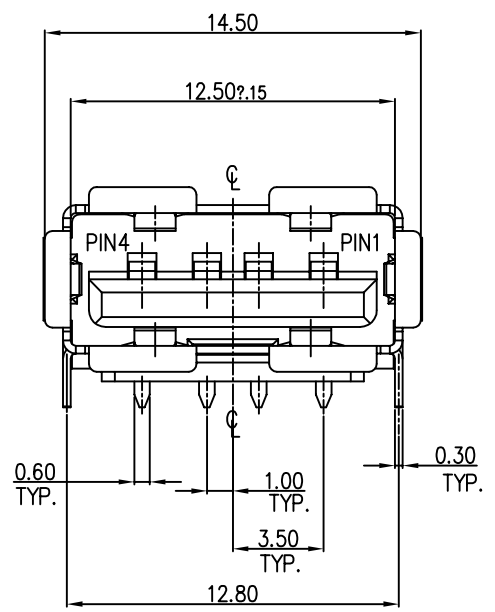
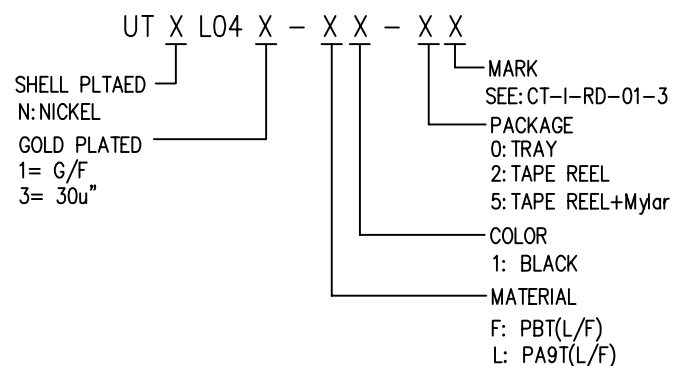
NOTES:

MATERIAL:

- Ⓐ HOUSING: HIGHT TEMPERATURE THERMOPLASTIC, 30% GLASS FIBER FILLED. UL 94V-0 RATED.
- Ⓑ CONTACT: COPPER ALLOY (T=0.25mm).
- Ⓒ FRONT SHIELD: SUS304 (T=0.30mm).

FINISH:

CONTACT: TIN PLATED IN SOLDERING AREA, GOLD PLATED IN CONTACT AREA.
 SHIELD : N: NICKEL, PLATED WITH 50u" THICK. OVER 50u" THICKNESS Cu.



RECOMMENDED P.C.B LAYOUT (COMPONENT SIDE)
 GERNERAL TOLERANCE : ±0.05mm

INTENDED USE	Q'TY	HUNG TA H.T. ENTERPRISE CO., LTD	
PART NO. UTXL04X-XX-XX	FINISH	FILE NO. 25-256A	TITLE: USB A TYPE, SHORT BODY
TOLERANCES .X ± 0.25 .X ± .XX ± 0.25 .XX ±	MAT'L	APPD: David 11/24/06 CHKD: Max 11/24/06 DR: Ryan 11/23/06	DWG NO.: 25-0000-256 REV. B2
		SCALE N/A	SHEET 1 OF 1