

REV.	ECN. NO.	APPD.
A	DWG.REL	---
A1	K-EC09040	LONG 9/22/09
A2	K-EC10025	LONG20100629
A3	K-EC10036	Yufengjin 8/10/10

NOTES:

1. MATERIAL:

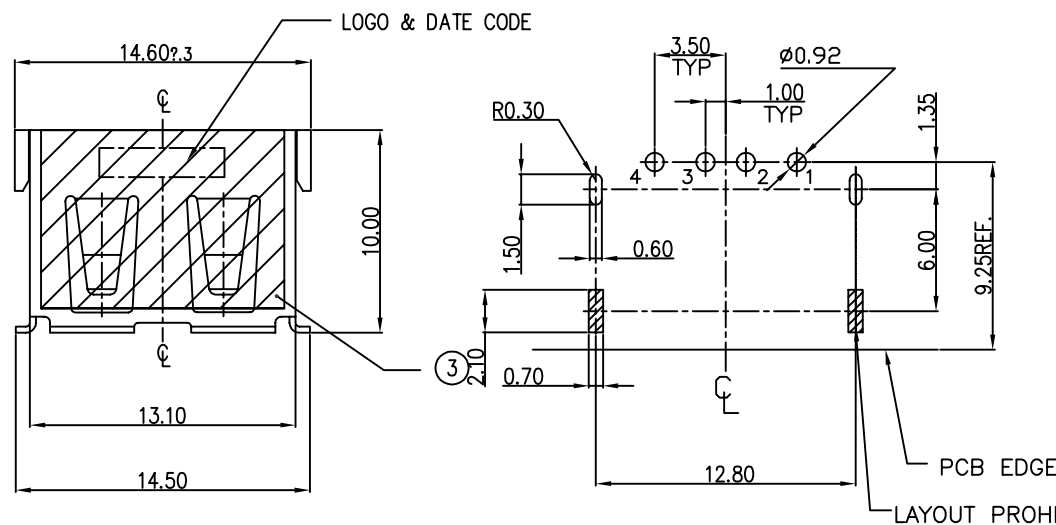
- 1-1. HOUSING: THERMOPLASTIC, UL 94V-0, BLACK.
- 1-2. CONTACT: COPPER ALLOY. (T=0.25mm)
- 1-3. SHELL: METAL (T=0.30mm)

2. FINISH:

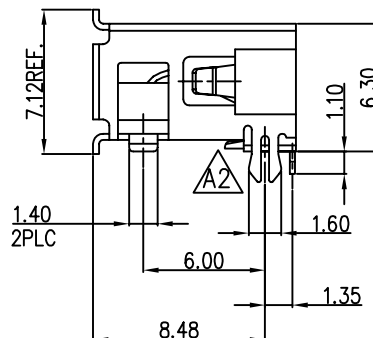
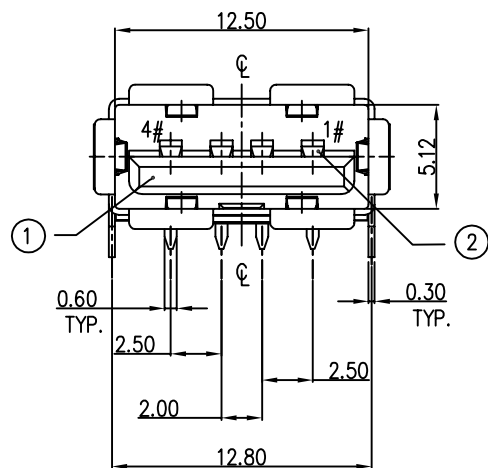
- 2-1. CONTACT: UNDER PLATED 50u" MIN NICKEL ALL AREA.
100u" MIN TIN IN SOLDER TAIL AREA.
GOLD PLATED AT CONTACT AREA.
- 2-2. SHELL: NICKEL 50u" MIN AT OVER AREA.
TIN 120u" MIN AT OVER AREA.

3. PART NO. DESCRIPTION:

USB CONN. UT N E 04 * - * - * - * MARK
 SHELL PLATING: N=NICKLE PACKAGE: 0=TRAY 2=TAPE REEL 5=TAPE REEL+MYLAR
 TYPE: POS NO.: COLOR: 0=WHITE(MATERIAL) 1=BLACK
 CONTACT PLATING: 1=GOLD FLASH 3=30u" GOLD PLATING 5=15u" GOLD PLATING C=30u" GOLD WITH MATTE TIN
 MATERIAL: G:PA46(L/F) L:PA9T(L/F) H:LCP(L/F) T:HTN(L/F)



RECOMMEND P.C.B LAYOUT (THICKNESS 1.2mm)
 (COMPONENT SIDE) TOLERANCE±0.02mm



3	SHELL	1	METAL	NICKEL PLATING	T=0.30mm
2	CONTACT	4	COPPER ALLOY	NICKEL UNDERPLATING ; GOLD PLATING AT CONTACT AREA TIN PLATING AT FOLDER TAIL	T=0.25mm
1	HOUSING	1	THERMOPLASTIC	BLACK,UL 94V-0	---
ITEM	DESCRIPTION	Q'TY	MATERIAL	TREATMENT	REMARK
INTENDED USE		Q'TY		HUNG TA H.T.ENTERPRISE CO.,LTD	
CUSTOMER		FINISH		---	
PART NO.		FILE NO.		TITLE:	
UT#E04*-**-**		25-238A		USB CONN.TYPE A R/A DIP TYPE	
TOLERANCES		MAT'L		APPD: Andy 09/26/06'	
.X ± 0.25 .X ±.3'		---		DWS NO.: 25-0000-238	
.XX ± 0.20 .XX ±.2'		---		CHKD: Andy 09/26/06'	
		DR: BOYE.QI 03/15/06'		SCALE : 1:1	
				SHEET: 1/1	