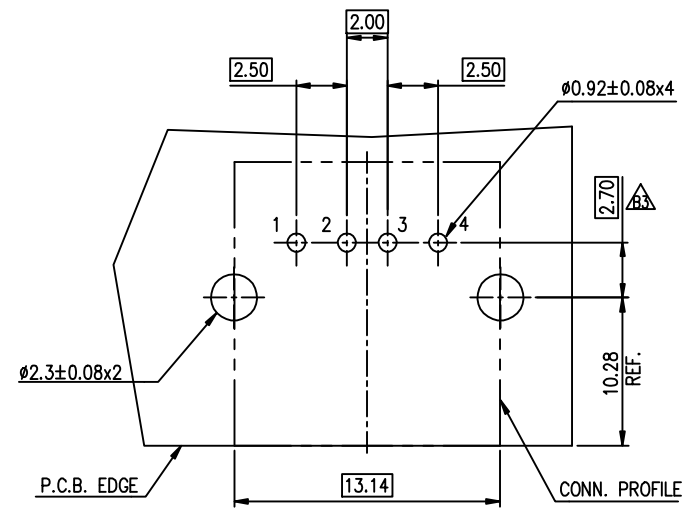
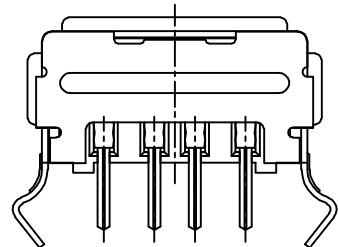
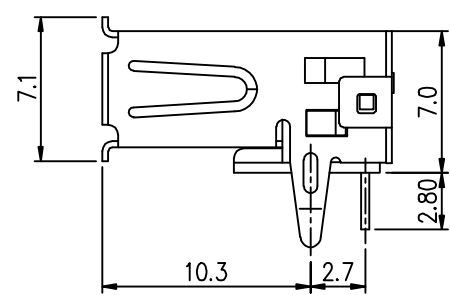
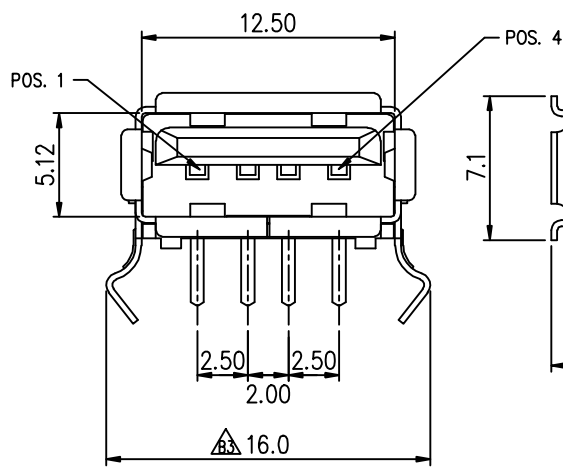
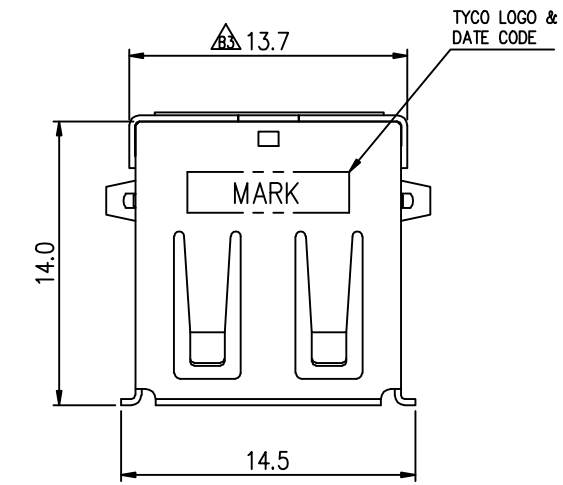


REV.	ECN. NO.	APPD.
A2	T-ECR-03105	JACK 8/4/04
A3	T-ECR-05068	lhp.cat 05/5/13
B	T-ECR-05107	bin.guo 05/07/28
B1	T-ECR-05153	vim 05/07/28
B2	T-ECR-06177	JASON 06/08/07
B3	D-EC07098	lhp.liu 07/19/07
B4	K-EC10036	Yufengjin 8/9/10

MATERIAL:
 Ⓐ HOUSING: THERMOPLASTIC, GLASS FIBER FILLED.
 UL 94V-0 RATED.
 Ⓒ CONTACT: PHOSPHOR BRONZE (t=0.25mm).
 Ⓓ FRONT SHIELD: BRASS (t=0.30mm).
 Ⓔ REAR SHIELD: BRASS C2680R-H (t=0.30mm).

FINISH:
 CONTACT: (1,3,5): UNDER PLATED 50u" MIN. NICKEL ALL OVER 100u" MIN. TIN IN SOLDERING AREA GOLD PLATED IN CONTACT AREA.
 (F,G,H): UNDER PLATED 50u" MIN. NICKEL ALL OVER 120u" MIN. Sn/Cu IN SOLDERING AREA GOLD PLATED IN CONTACT AREA.
 FRONT SHIELD: L: PLATED WITH 120u" THICKNESS BRIGHT TIN OVER 50u" MIN. THICKNESS NI.
 T: PLATED WITH 100u" THICKNESS TIN OVER 40u" MIN. THICKNESS NICKEL.
 N: PLATED WITH 50~90u" THICKNESS NICKEL OVER 50u" MIN. THICKNESS Cu
 REAR SHIELD: PLATED WITH 120u" THICKNESS NICKEL OVER 50u" MIN. THICKNESS Cu.

PART NO. DESCRIPTION:
 UG N 1 04 3 - L 1 - 0 0
 SHELL PLTAE ——— UG N 1 04 3 ——— MARK 0: NO MARK
 N: NICKEL ——— L 1 ——— PACKAGE 0: TRAY
 GOLD PLATED ——— ——— COLOR 1: BLACK
 3: 30u" ——— MATERIAL L: PA9T(L/F)



RECOMMEND P.C.B LAYOUT (TOP VIEW)

INTENDED USE	Q'TY	HUNG TA H.T.ENTERPRISE CO.,LTD
	FINISH	
PART NO. UGX104X-XX-XX	FILE NO. 25-068A	TITLE: USB CONNECTOR, RECEPTACLE 4 POSITION, SERIES A
TOLERANCES .X ± 0.35 .X ± .XX± 0.25 .XX±	MAT'L	APPD: James 08/11/03 CHKD: Phoenix 08/11/03 DR: Colin 08/11/03
		DWG NO.: 25-0000-068
		REV. B4
		SCALE N/A SHEET 1 OF 1