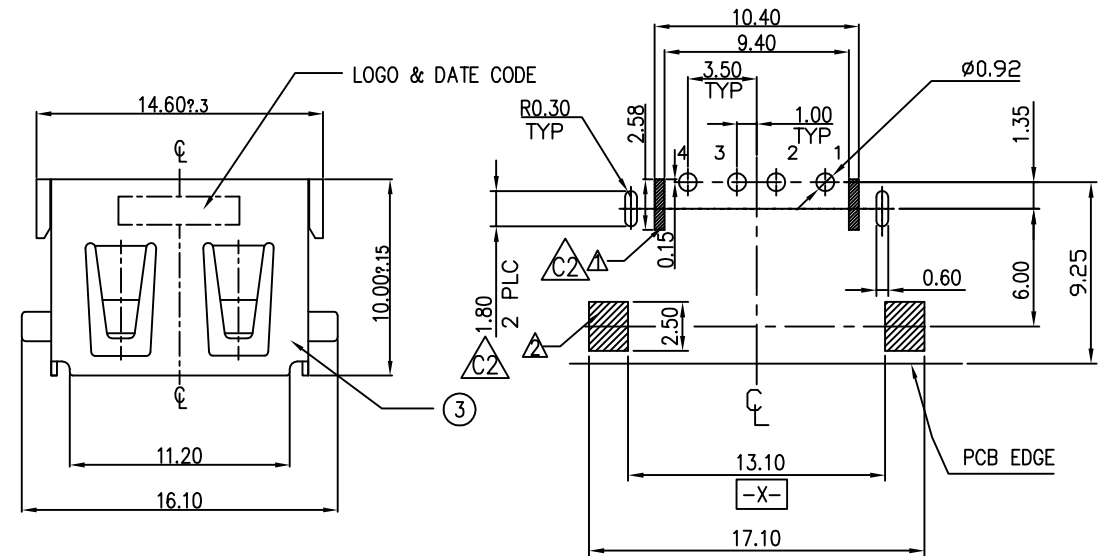
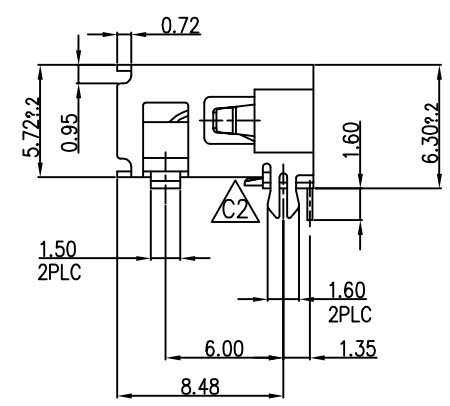
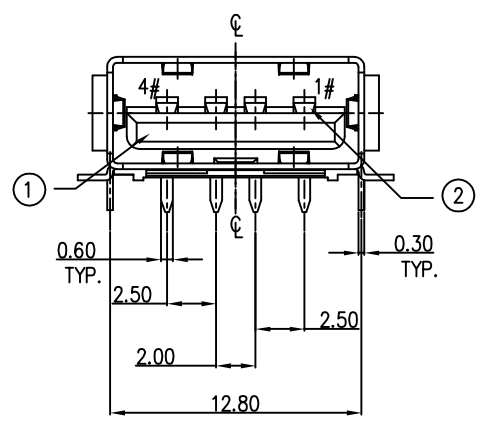


REV.	ECN. NO.	APPD.
A0	DWG.REL	---
B0	K-EC09019	LONG
C0	K-EC09043	LONG 20091022
C1	K-EC10021	LONG 20100609
C2	K-EC10025	LONG20100629



RECOMMEND P.C.B LAYOUT (THICKNESS 1.2mm)
 (COMPONENT SIDE) TOLERANCE±.03mm
 ▲ PLASTIC STAND OFF ZONE
 ▲ METAL PAD ZONE



NOTES:

- MATERIAL:
 - 1-1. HOUSING: THERMOPLASTIC, UL 94V-0, BLACK.
 - 1-2. CONTACT: COPPER ALLOY. (T=0.25mm)
 - 1-3. METAL (T=0.30mm)
- FINISH:
 - 2-1. CONTACT: UNDER PLATED 50u" MIN NICKEL ALL AREA. 100u" MIN TIN IN SOLDER TAIL AREA. GOLD PLATING AT CONTACT AREA.
 - 2-2. SHELL: NICKEL 50u" MIN. PLATING OVERALL.
- ENVIRONMENTAL CHARACTERISTICS:
 - 3-1. OPERATION TEMPERATURE RANGE : -10°C TO +85°C.
- PART NO. DESCRIPTION:

UAR19 -04 1 C N * *
 MARK
 PACKAGE
 5=TAPE REEL(WITHOUT MYLAR) C1
 SHELL PLATING:
 N=NICKEL PLATING
 CONTACT PLATING+SOLDER PLATING:
 C=30u" GOLD PLATING+100 MIN. MATTE TIN

ITEM	DESCRIPTION	Q'TY	MATERIAL	TREATMENT	REMARK																																				
3	SHELL	1	METAL	NICKEL PLATING	T=0.30mm																																				
2	CONTACT	4	COPPER ALLOY	NICKEL UNDERPLATING ; GOLD PLATING AT CONTACT AREA TIN PLATING AT SOLDER TAIL	T=0.25mm																																				
1	HOUSING	1	THERMOPLASTIC	BLACK,UL 94V-0	---																																				
<table border="1"> <thead> <tr> <th>INTENDED USE</th> <th>Q'TY</th> <th colspan="4">HT HUNG TA H.T.ENTERPRISE CO.,LTD</th> </tr> <tr> <th>CUSTOMER</th> <th>FINISH</th> <th>FILE NO.</th> <th colspan="3">TITLE:</th> </tr> </thead> <tbody> <tr> <td>UAR19-041CN**</td> <td>---</td> <td>C-UAR19-00-C2</td> <td colspan="3">USB CONN.TYPE A R/A DIP TYPE</td> </tr> <tr> <th>TOLERANCES</th> <th>MATL</th> <th>APPD:</th> <th>CHKD:</th> <th>DWG NO.:</th> <th>REV.</th> </tr> <tr> <td>.X ± 0.25 .X ±.3'</td> <td>---</td> <td>KEVIN 12/25/08</td> <td>LONG 12/25/08</td> <td>C-UAR19-00-C2</td> <td>C2</td> </tr> <tr> <td>.XX± 0.20 .XX±2'</td> <td></td> <td>DR: LONG 12/25/08</td> <td></td> <td>SCALE :1:1</td> <td>SHEET: 1/1</td> </tr> </tbody> </table>						INTENDED USE	Q'TY	HT HUNG TA H.T.ENTERPRISE CO.,LTD				CUSTOMER	FINISH	FILE NO.	TITLE:			UAR19-041CN**	---	C-UAR19-00-C2	USB CONN.TYPE A R/A DIP TYPE			TOLERANCES	MATL	APPD:	CHKD:	DWG NO.:	REV.	.X ± 0.25 .X ±.3'	---	KEVIN 12/25/08	LONG 12/25/08	C-UAR19-00-C2	C2	.XX± 0.20 .XX±2'		DR: LONG 12/25/08		SCALE :1:1	SHEET: 1/1
INTENDED USE	Q'TY	HT HUNG TA H.T.ENTERPRISE CO.,LTD																																							
CUSTOMER	FINISH	FILE NO.	TITLE:																																						
UAR19-041CN**	---	C-UAR19-00-C2	USB CONN.TYPE A R/A DIP TYPE																																						
TOLERANCES	MATL	APPD:	CHKD:	DWG NO.:	REV.																																				
.X ± 0.25 .X ±.3'	---	KEVIN 12/25/08	LONG 12/25/08	C-UAR19-00-C2	C2																																				
.XX± 0.20 .XX±2'		DR: LONG 12/25/08		SCALE :1:1	SHEET: 1/1																																				