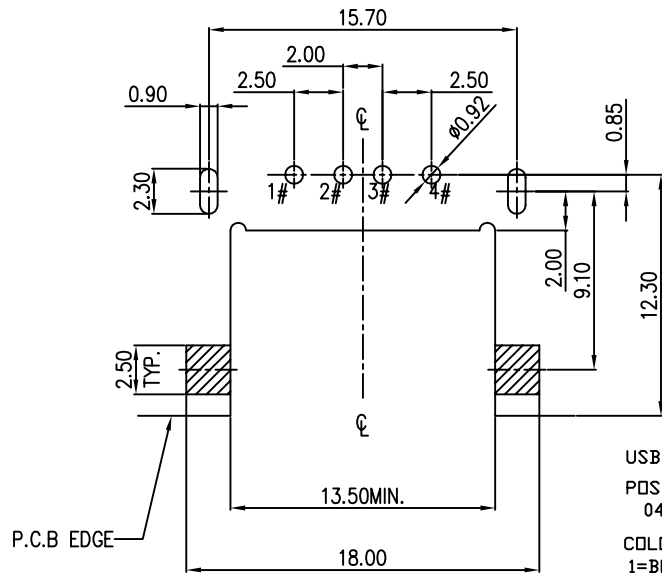
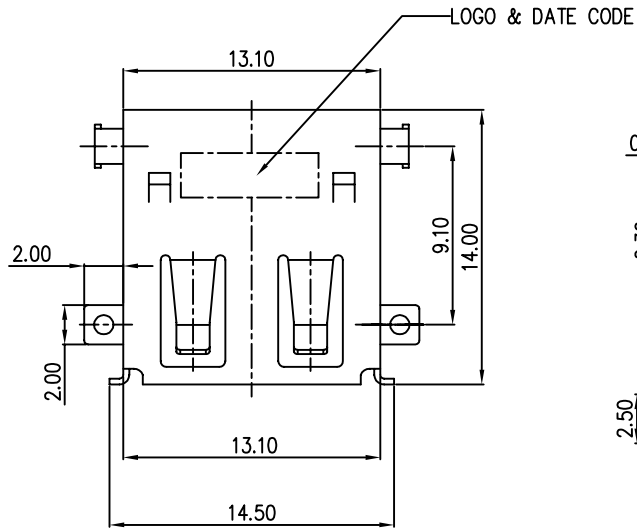


REV.	ECN. NO.	APPD.
A0	DWG.REL	---
A1	K-EC11010	Kevin 2008.9.4
A2	K-EC11013	Kevin 2008.9.4



NOTES:

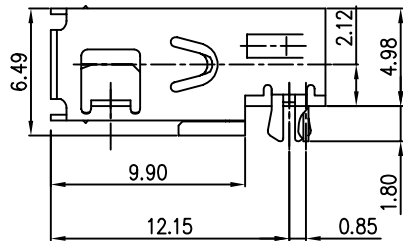
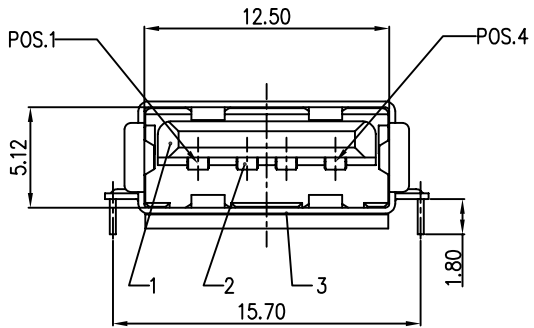
- MATERIAL:
 - HOUSING: THERMOPLASTIC, UL 94V-0, BLACK.
 - CONTACT: COPPER ALLOY. (T=0.25mm)
 - METAL (T=0.30mm)
- FINISH:
 - CONTACT: UNDER PLATED 50u" MIN NICKEL ALL AREA. 100u" MIN TIN IN SOLDER TAIL AREA. GOLD PLATED AT CONTACT AREA.
 - SHELL: NICKEL 50u" MIN. PLATING OVERALL.
- ENVIRONMENTAL CHARACTERISTICS:
 - OPERATION TEMPERATURE RANGE : -10°C TO +85°C.
- PART NO. DESCRIPTION:

UAR14 -04 1 C N * * MARK 5:D/C

USB POS NO.: 04=4POS. PACKAGE 2=TAPE REEL

COLOR 1=BLACK SHELL PLATING: N=NICKEL PLATING

CONTACT PLATING+SOLDER PLATING: C=30U" GOLD PLATING+100 MIN. MATTE TIN A=G/F+ MATTE TIN



3	SHELL	1	METAL	NICKEL PLATING	T=0.30mm
2	CONTACT	4	COPPER ALLOY	NICKEL UNDERPLATING ; GOLD PLATING AT CONTACT AREA TIN PLATING AT POLDER TAIL	T=0.25mm
1	HOUSING	1	THERMOPLASTIC	UL 94V-0	---
ITEM	DESCRIPTION	Q'TY	MATERIAL	TREATMENT	REMARK
INTENDED USE		Q'TY			HT HUNG TA H.T. ENTERPRISE CO., LTD
CUSTOMER		FINISH			
PART NO.		---		FILE NO.	TITLE:
UAR14-04**N**		---		C-UAR14-00-A2	USB CONN. TYPE A R/A DIP TYPE
TOLERANCES		MAT'L		APPD: KEVIN 2008.9.4	DWG NO.: C-UAR14-00-A2
.X ± 0.25 .X ±3'		---		CHKD: LONG 2008.9.4	REV. A2
.XX ± 0.20 .XX ±2'		---		DR: LONG 2008.9.4	SCALE : 1:1 SHEET: 1/1