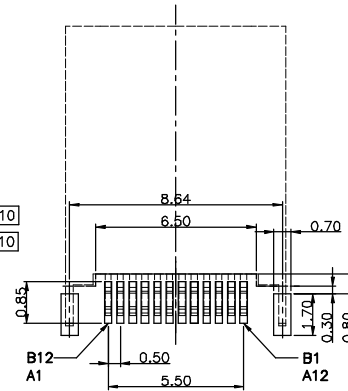
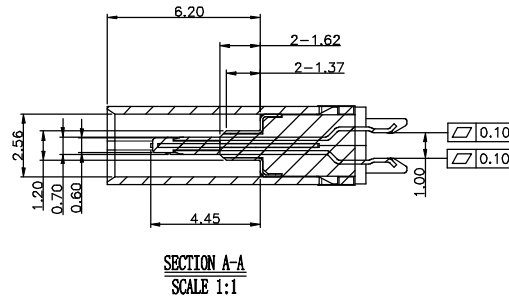
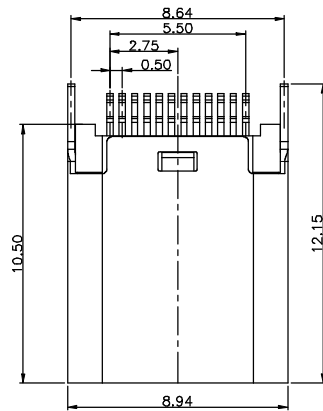


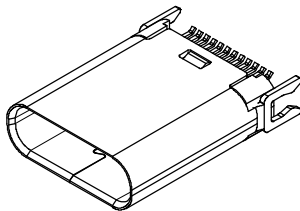
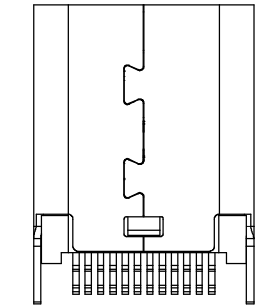
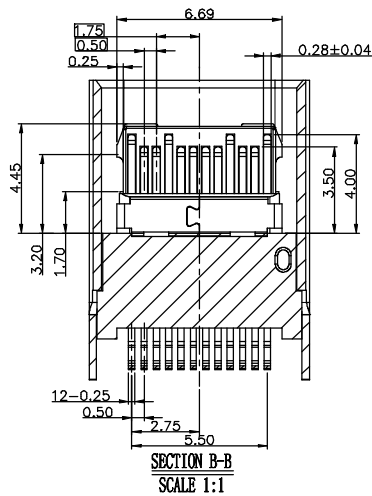
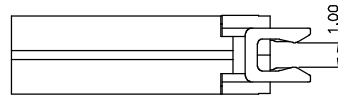
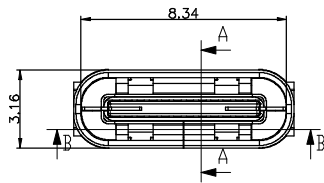
REV.	ECN NO.	APPD.
A	DWG. REL.	



RECOMMENDED P.C.B. LAYOUT (T:1.00mm)  
TOLERANCE UNSPECIFIED ±0.05mm

NOTES:

- MATERIAL:  
MOLDING: LCP UL94 V-0  
CONTACT: COPPER ALLOY.  
GOLD PLATED G/F" Min ON CONTACT AREA, 100u"  
Min TIN (LEAD FREE) ON SOLDER AREA,  
SHELL: SUS304-H,T=0.30±0.03mm  
50u" NICKEL PLATING OVER ALL.  
SHILD: SUS304-H,T=0.12±0.03mm  
LACTH: SUS301,T=0.15±0.03mm
- MECHANICAL:  
INSERTION: 5~20N.  
EXTRACTION: 8~20N.  
DURABILITY: 10000 CYCLES
- ELECTRICAL:  
CURRENT: 5A MIN FOR VBUS;  
0.25A MIN FOR OTHER.  
VOLTAGE: 5VAC MAX  
WITHSTANDING VOLTAGE: 100V AC.  
CONTACT RESISTANCE: 40mΩ MAX.  
INSULATION RESISTANCE: 100MΩ MIN.
- ENVIRONMENTAL  
TEMPERATURE RANGE -55°C ~ +85°C



TCR03-24 \* \* \* \* \*  
① ② ③ ④ ⑤

- ① HOUSING COLOR  
1: BLACK
- ② CONTACT PLATED  
1: G/F
- ③ SHELL PLATED  
N: NICKEL
- ④ PACKAGE  
0: TRAY
- ⑤ MARK  
0: NO MARK+NO D/C

USB TYPE-C FULL-FEATURED MICROFACE INTERFACE PIN ASSIGNMENTS

PIN	Signal Name	Description	PIN	Signal Name	Description
A1	GM	Ground return	B12	GM	Ground return
A2	SS2p1	Positive half of first SuperSpeed TX differential pair	B11	SS2p1	Positive half of first SuperSpeed TX differential pair
A3	SS2m1	Negative half of first SuperSpeed TX differential pair	B10	SS2m1	Negative half of first SuperSpeed TX differential pair
A4	Vm	Bus Power	B9	Vm	Bus Power
A5	CC1	Configuration Channel	B8	CC1	Configuration Channel
A6	Dp1	Positive half of the USB 2.0 differential pair-Position 1	B7	Dp1	Positive half of the USB 2.0 differential pair-Position 1
A7	Dm1	Negative half of the USB 2.0 differential pair-Position 1	B6	Dm1	Negative half of the USB 2.0 differential pair-Position 1
A8	DFU1	Reserved for Future Use (DFU)	B5	DFU1	Reserved for Future Use (DFU)
A9	Vm	Bus Power	B4	Vm	Bus Power
A10	SS2p2	Negative half of second SuperSpeed TX differential pair	B3	SS2p2	Negative half of second SuperSpeed TX differential pair
A11	SS2m2	Positive half of second SuperSpeed TX differential pair	B2	SS2m2	Positive half of second SuperSpeed TX differential pair
A12	GM	Ground return	B1	GM	Ground return

INTENDED USE	Q'TY	HUNG TA H.T. ENTERPRISE CO., LTD	
PART NO. TCR03-24*****	FINISH	FILE NO. C-TCR03-00-A0	TITLE USB C TYPE CONNECTOR
TOLERANCES X ± 0.35 X' ± 3' XX ± 0.25 .XX ±	MAT'L	APPD: HONDA 20150916 CHKD: LONG 20150916 DR: LONG 20150916	DWG NO.: C-TCR03-00-A0 SCALE N/A SHEET 1 OF 1
		REV. A	