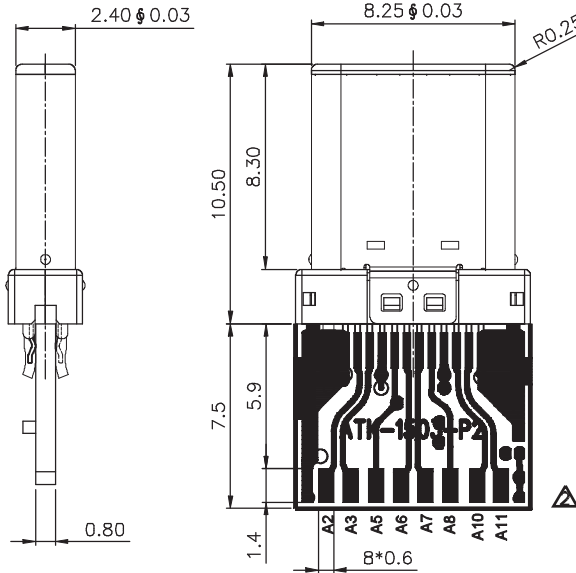
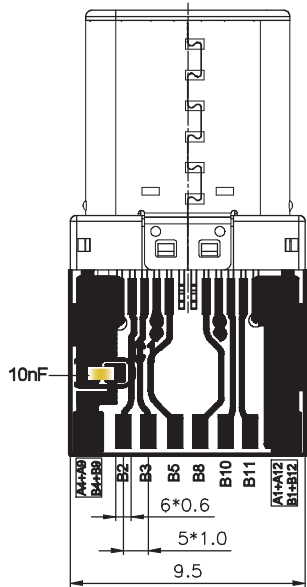
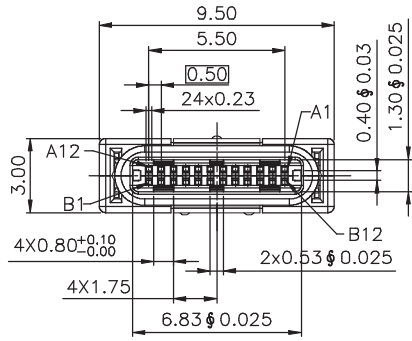


REV.	ECN NO.	APPD.
A	DWG. REL.	

Pin Number	host	device	Pin Number	host	device
Pin A1	GND	GND	Pin B12	GND	GND
Pin A2	SSTxp1	SSTxp1	Pin B11	SSRxp1	SSRxp1
Pin A3	SSTxn1	SSTxn1	Pin B10	SSRxn1	SSRxn1
Pin A4	VBUS	VBUS	Pin B9	VBUS	VBUS
Pin A5	CC1	CC1	Pin B8	SBU2	SBU2
Pin A6	DP1	DP1	Pin B7		
Pin A7	DN1	DN1	Pin B6		
Pin A8	SBU1	SBU1	Pin B5	CC2	CC2
Pin A9	VBUS	VBUS	Pin B4	VBUS	VBUS
Pin A10	SSRxn2	SSRxn2	Pin B3	SSTxn2	SSTxn2
Pin A11	SSRxp2	SSRxp2	Pin B2	SSTxp2	SSTxp2
Pin A12	GND	GND	Pin B1	GND	GND



- NOTES
- MATERIAL: See drawing
 - STANDARD DATA
 - Rating current: 3.0A for VBUS (i.e., pins A4, A9, B4, B9); 1.25A for Vconn and GND (i.e., pins B5, A1, A12, B1, B12); 0.25A for all the other contacts.
 - ELECTRICAL
 - Insulator resistance: 100M ohms Min.
 - Withstanding voltage: 100 VAC / minute
 - Contact resistance: initial 60mohms Max. after 70mohms Max.
 - MECHANICAL
 - Mating force: 5~20N
 - Unmating force : Initial 8~20N After 1000cycles 6~20N
 - Durability: 10000 cycles Min.
 - PACKING: 100pcs/tray (reference)

TCP01-16 * * * * *

① ② ③ ④ ⑤

- ① HOUSING COLOR ④ PACKAGE
1:BLACK
- ② CONTACT PLATED ⑤ MARK
1:G/F 0: NO MARK+NO D/C
- ③ SHELL PLATED
N:NICKEL

ITEM	PARTS NAME	Q'TY	MATERIAL	FINISH/REMARK
項目	零件名稱	數量	材質	處理/備註
1	CONNECTOR	1	SHELL:STAINLESS HOUSING:LCP GND SPRING:STAINLESS Molding Contact:LCP CONTACT:COPPER ALLOY LATCH:STAINLESS	Ni:50u" (Black) Ni:50u" (Black) Contact area:gold flash, Solder tails:Tin100u", Ni:50u" Ni:50u"
2	PCB	1	-	-

INTENDED USE	Q'TY	HUNG TA H.T. ENTERPRISE CO., LTD	
PART NO. TCP01-16*****	FINISH	FILE NO. C-TCP01-00-A0	TITLE USB3.1 TYPE-C PLUG USB3.1 C TO C 規格
TOLERANCES .X ± 0.35 .X * ± 3° .XX ± 0.25 .XX ±	MAT'L	APPD: HONDA 20150916 CHKD: LONG 20150916 DR: LONG 20150916	DWG NO.: C-TCP01-00-A0 SCALE N/A REV. A SHEET 1 OF 1