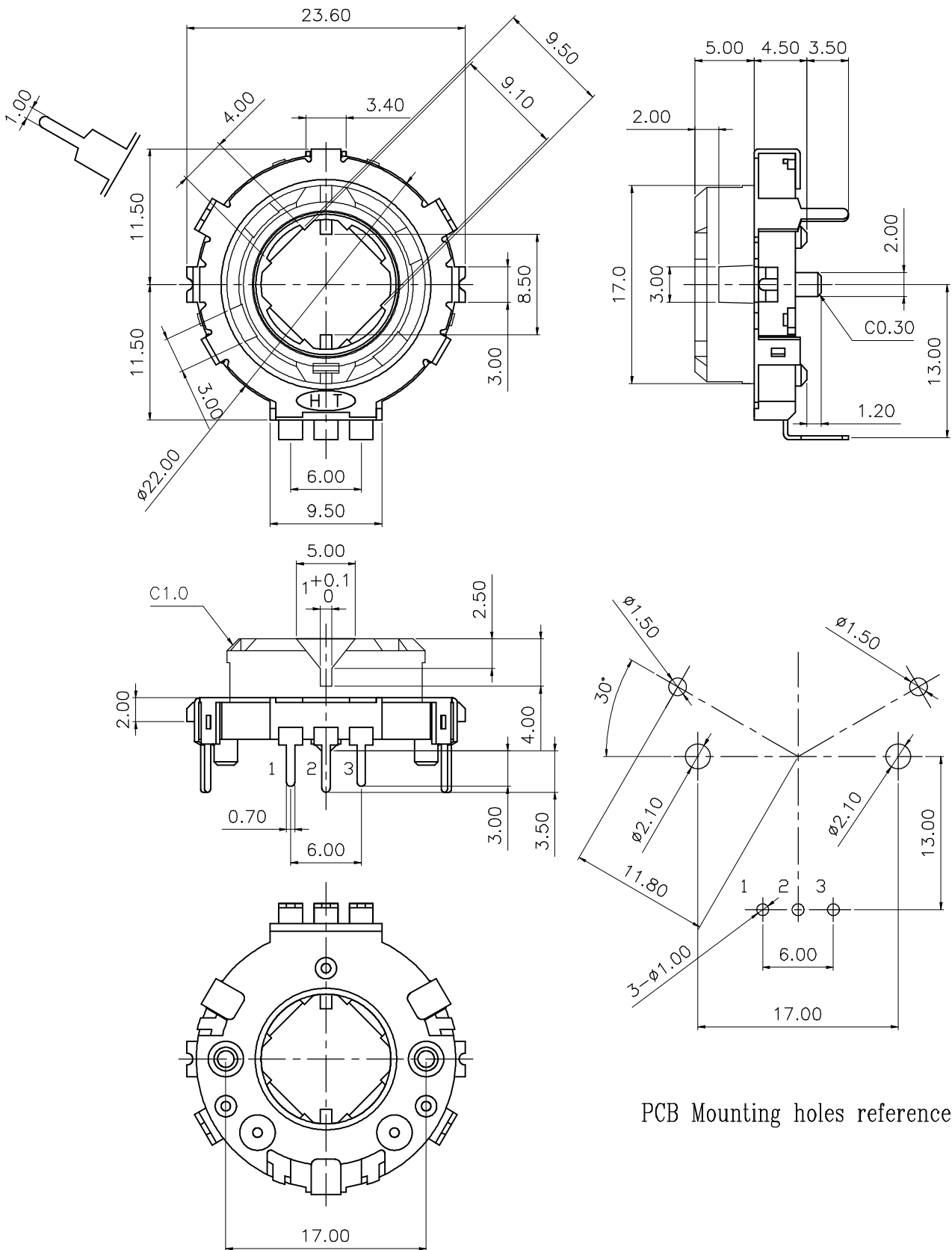


MODEL: R2205E-D1 -



PCB Mounting holes reference.

MODEL: R2205E-D1

Mechanical characteristics:機械的性能:

Item<項目>	Performance<性能>
Total rotational angle/travel 全迴轉角度/行程	360°
Rotation torque 迴轉扭力	40~200 gf-cm
Click position C.C.位置	20 detent
Resolution 解析度	10/20 pulses

Electrical characteristics:電氣的性能:

Item<項目>	Performance<性能>
Rated power 定格電力	5V DC ,10mA
Insulation resistance 絕緣抵抗	More than 100MΩ at DC 100V
Withstand voltage 耐電壓	More than 300V AC (1 minute)
Manual Soldering heat 手焊錫溫度	Below 300°C, Less than 3 seconds.

Durability:耐久的性能:

Item<項目>	Performance<性能>
Rotational lif 迴轉壽命	15,000 cycles