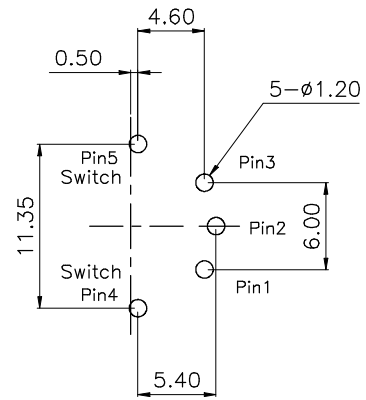
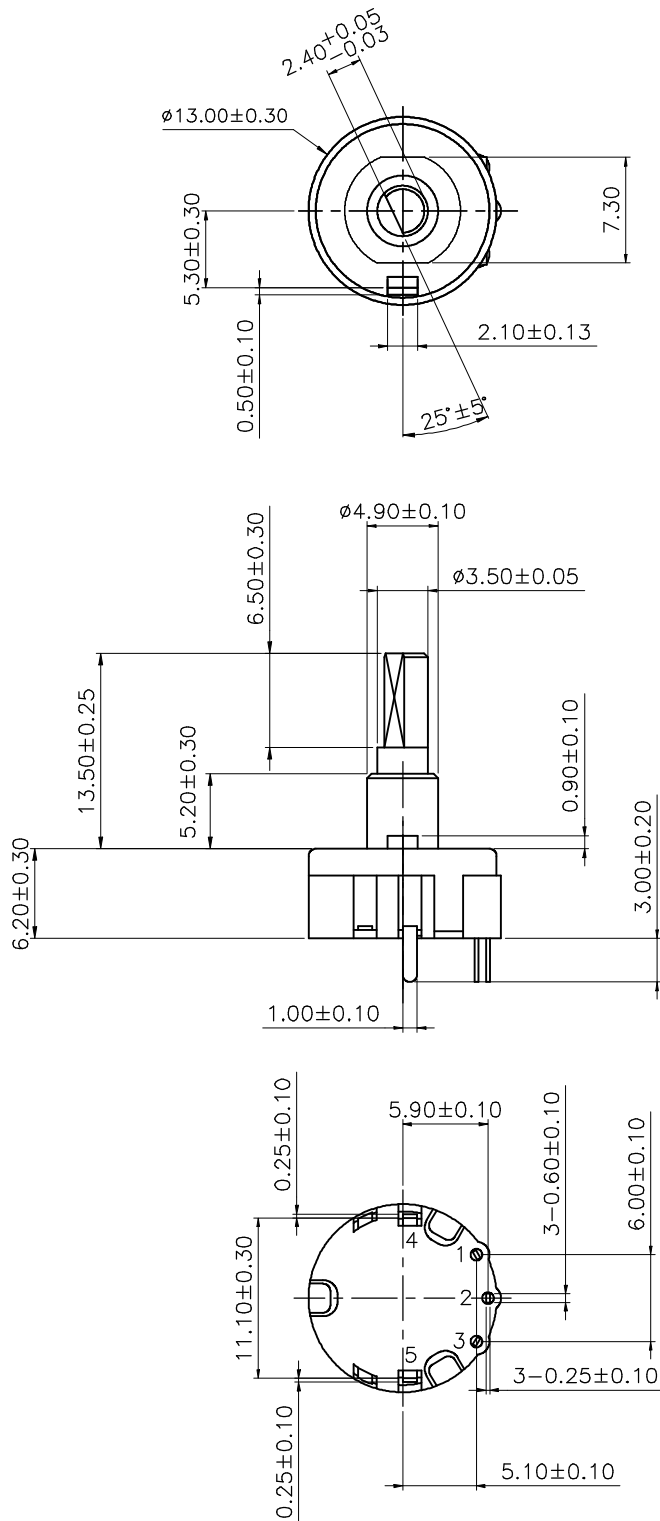
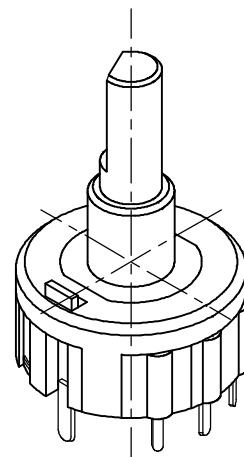


REV. A

MODEL: R13P2N-AD1



Mounting hole detail



MODEL: R13P2N

Mechanical characteristics:機械的性能:

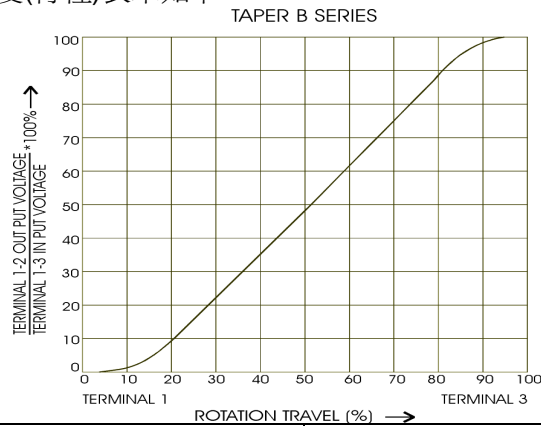
Item<項目>	Performance<性能>
Total rotational angle/travel 全迴轉角度/行程	230°±5°
Rotation torque 迴轉扭力	10~100 gf-cm
Shaft rotational stopper strength 軸的止迴轉強度	2 kgf-cm
Push-pull strength 軸推拉強度	Push 10kgf / pull 4kgf
Switch actuation force (開關啓動力量)	5 N ± 1 N (510±102 gf)
Switch return force (開關反彈力量)	3 N ± 1.5 N (306±153 gf)
Switch travel (開關行程)	0.4±0.06 mm

Electrical characteristics:電氣的性能:

Item<項目>	Performance<性能>
Resistance taper 阻值線性	B

Reference: Standard resistance tapers in reference to rotational angles(travel) are as shown below:

參考:標準阻值曲線及旋轉角度(行程)表示如下:



Total resistance 總阻值	5KΩ~500KΩ
Total resistance tolerance 總阻值容許差	±20%
Max. operating voltage 最高使用電壓	30V DC
Rated power 定格電力	0.04W
Residual resistance 殘留阻值	50 max.
Rotational/sliding noise 迴轉/滑動雜音	Less than 100mV
Insulation resistance 絕緣抵抗	More than 100MΩ at DC 500V
Switch contact rating 開關接觸額定功率	250 mA at 12V DC
Withstand voltage 耐電壓	More than 500V AC (1 minute)
Manual Soldering heat 手焊錫溫度	Below 300°C, Less than 3 seconds.

Durability:耐久的性能:

Item<項目>	Performance<性能>
Rotational/sliding life 迴轉/滑動壽命	25,000 cycles
Switch life 開關壽命	25,000 cycles