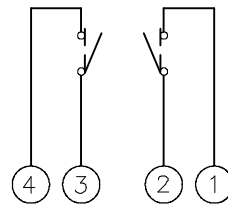
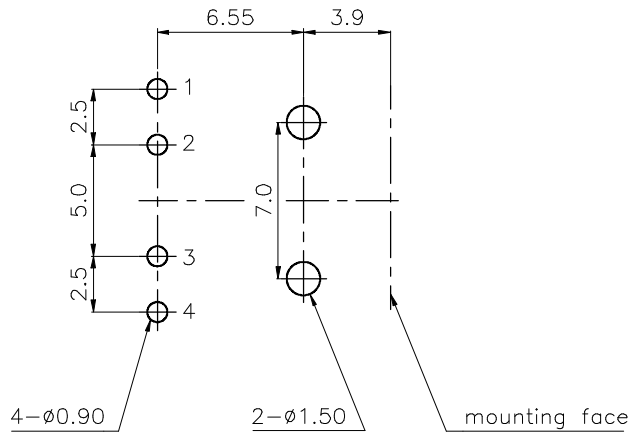
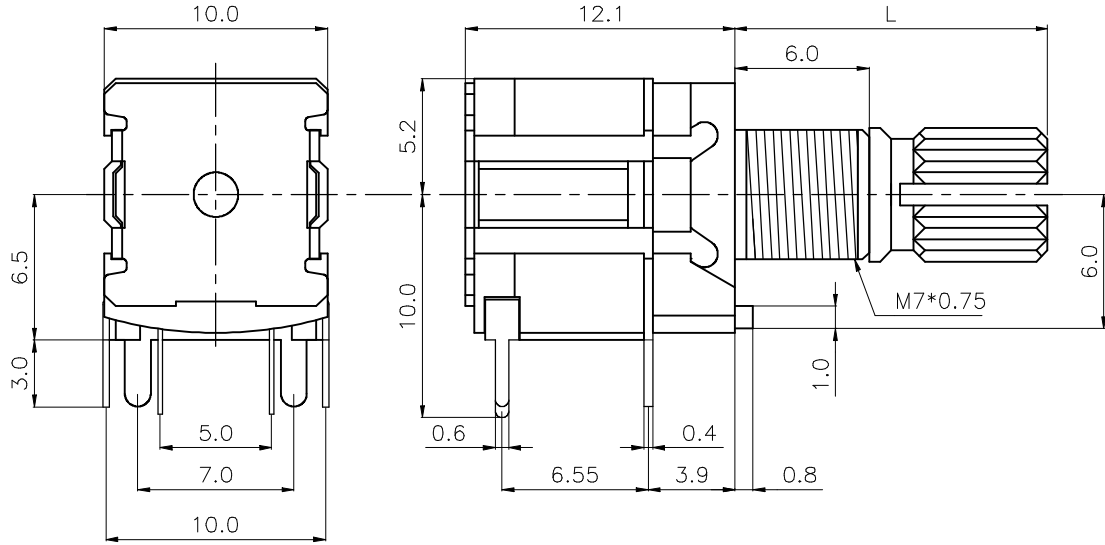
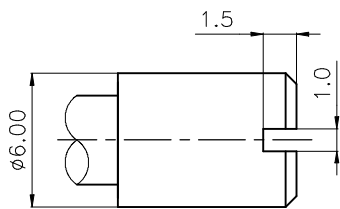


MODEL: R1010E-□A1-X

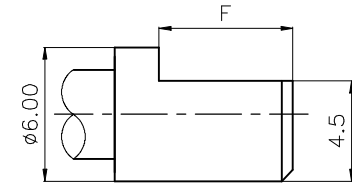


C.W : 1,2 ON during changeover only
C.C.W : 3,4 ON during changeover only



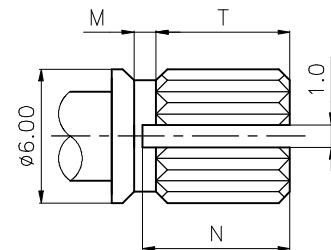
S TYPE

X	Q	R	S
L	15	20	25



F TYPE

X	A	B	C
L	15	20	25
F	7	12	12



KQ TYPE(18T)

X	2	3	4
L	15	20	25
T	6	10	12
M	1	2	4
N	7	11	14

MODEL: R1010E-□A1-

Mechanical characteristics:機械的性能:

Item<項目>	Performance<性能>
Total rotational angle/travel 全迴轉角度/行程	360°
Rotation torque 迴轉扭力	82~224 gf-cm
Terminal strength 端子強度	510 gf
Click position C.C.位置	20 detent
Changeover angle 切換角度	18°(ONE-STEP OPERATING ANGLE)
Number of positions 訊號輸出	20(ENDLESS)

Electrical characteristics:電氣的性能:

Item<項目>	Performance<性能>
Withstand voltage 耐電壓	100V AC(1 minute)
Initial contact resistance 接觸抵抗	50mΩ Max.
Rated power 定格電力	0.1A,DC 16V
Insulation resistance 絕緣抵抗	100MΩ Min. DC 100V
Manual Soldering heat 手焊錫溫度	Below 300°C, Less than 3 seconds.

Weather proof:耐溫的性能:

Cold proof 冷試驗	-20°±2°C FOR 96H
Hot proof 熱試驗	85°±2°C FOR 96H
Moisture resistance 濕氣抵抗	40°±2°C FOR 96H 90~95%RH FOR 96H

Durability:耐久的性能:

Item<項目>	Performance<性能>
Operating life without load 無負載操作壽命	30,000 cycles, 100mΩ MAX (30,000 次)
Operating life with load 負載運行壽命	0.1A, 16V DC (Resistive load) 10,000 cycles, 150mΩ MAX.