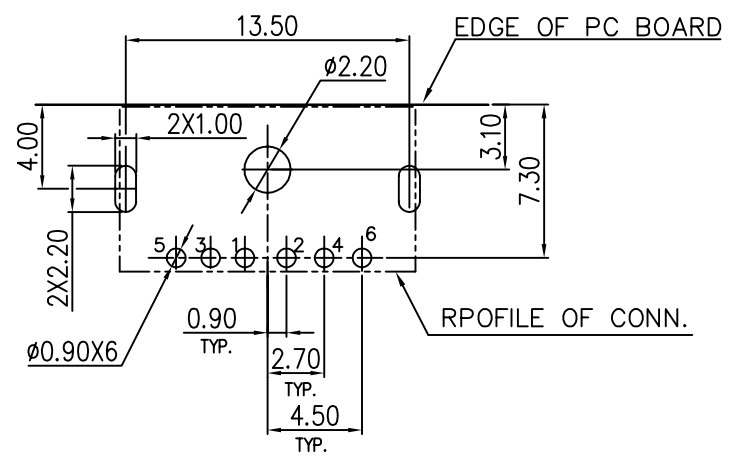
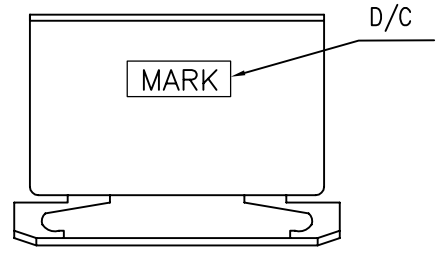
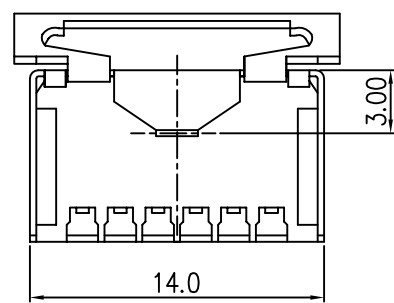
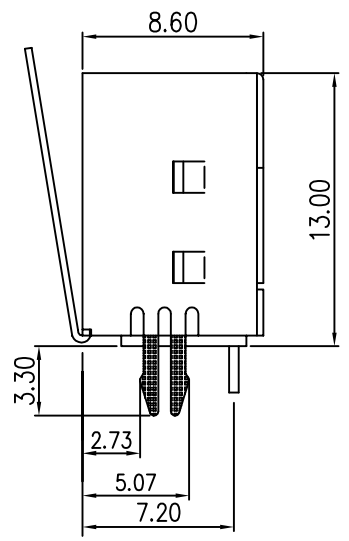
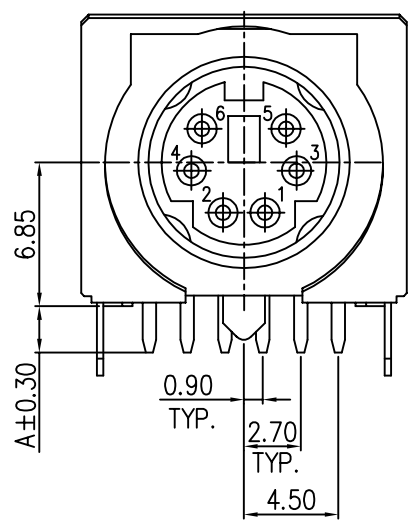


REV.	ECN. NO.	APPD.
A	DWG REL	
A1	D-EC07052	Yangbo 6/8/07
A2	K-EC11006	Fengjin 2/25/11
A3	K-EC11018	Fengjin 4/13/11



RECOMMENDED PCB LAYOUT
(TOP VIEW)



NOTES:

- MATERIAL :
HOUSING : THERMOPLASTIC, GLASS FIBER FILLED
UL 94V-0 RATED.
CONTACT : PHOSPHOR BRONZE
SHIELD : SEE SHELL MATERIAL
GROUNDING : STAINLESS STEEL
- FINISH :
CONTACT : UNDER PLATED 30u" MIN. NICKEL COVER ALL
120u" MIN. TIN IN SOLDERING AREA
SELECTIVE GOLD PLATED IN CONTACT AREA.
SHIELD : (a) BRIGHT TIN PLATED WITH 120u" THICK.
OVER 50u" THICKNESS Ni.
(b) NICKEL PLATED WITH 60~120u" THICK.
OVER 100u" THICKNESS Cu.
(c) Sn PLATED WITH 120u" THICK.
OVER 100u" THICKNESS Cu.
- PRODUCT NO. DESCRIPTION:
M Q X 3 X 6 X X X G4 X X
 - MARK
0: NO MARK
5: +D/C
 - PACKAGE
0: TRAY
 - HOUSING COLOR
0: WHITE
1: BLACK
3: YELLOW
4: GREEN
5: PURPLE
 - HOUSING MATERIAL
F: PBT (L/F)
G: PA46 (L/F)
 - CONTACT TAIL LENGTH
1: 2.2 mm
2: 2.5 mm
3: 3.18 mm
 - GOLD PLATED
1: G/F
3: 30u"
5: 15u"

INTENDED USE	Q'TY		HUNG TA H.T. ENTERPRISE CO., LTD	
PART NO. MQX3XXXXG4XX	FINISH		FILE NO. 21-203	TITLE: MINI DIN CONNECTOR SHORT BODY
TOLERANCES .x ± 0.35 .x *± .xx ± 0.25 .xx *±	MAT'L	APPD: ANDY 08/08/06 CHKD: KEVIN 08/08/06 DR: XIU 08/08/06	DWG NO.: 21-0000-203	REV. A3
			SCALE	SHEET 1 OF 1