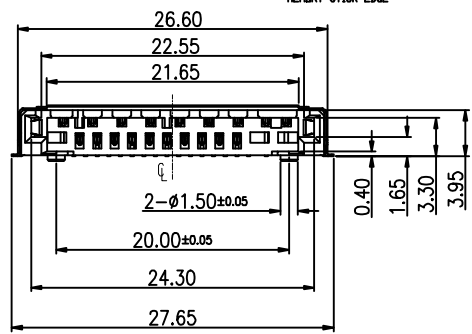
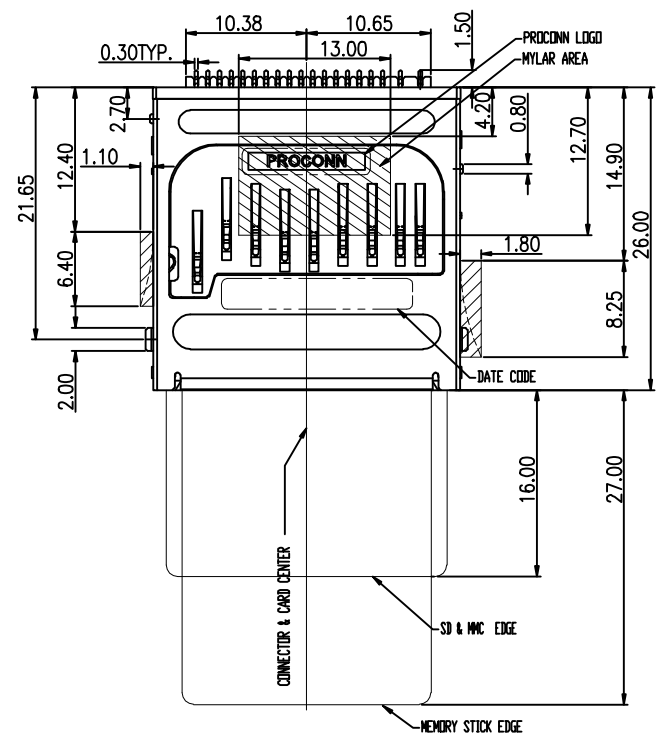


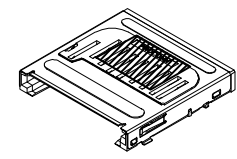
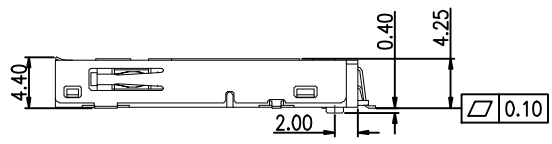


REV.	ECN. NO.	APPD.
A	DWG. REL.	

A
B
C
D
E



=PATTERN PROHIBITION AREA



NOTES:
 1.MATERIAL:
 HOUSING:HIGH TEMPERATURE THERMOPLASTIC
 UL 94V-0,COLOR:BLACK

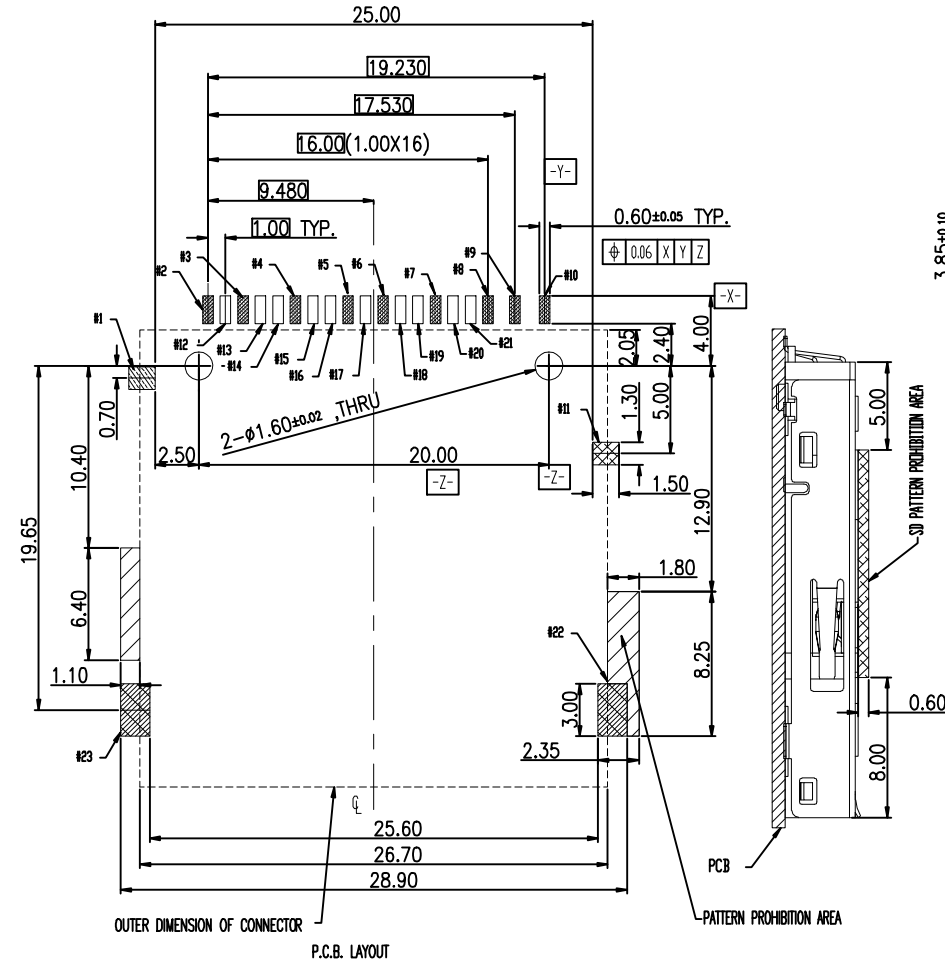
 CONTACT:COPPER ALLOYS
 COVER: COPPER ALLOYS
 MYLAR:KAPTON
 2.PLATING:
 UNDERPLATE:NICKEL
 TERMINAL CONTACT AREA: GOLD OVER NICKEL
 TERMINAL SOLDER AREA: MATTE TIN OVER NICKEL
 3.COPLANARITY: 0.10mm MAX
 4.PACK: TAPE REEL
 5.FOXLINK P/N:8191-3521-B171
 (PROCONN P/N:MDR019-A0-1042)

INTENDED USE	Q'TY		HUNG TA H.T. ENTERPRISE CO., LTD	
PART NO. 10100002711000	FINISH		FILE NO. 101000027	TITLE: 3IN1 CONN. REVERSE TYPE (FOR MS,SD,MMC)
TOLERANCES .X ± 0.35 .X ± .XX ± 0.25 .XX ±	MATL	APPD: TERRY 20160506 CHKD: LONG 20160506 DR: LONG 20160506	DWG NO.: 101000027	REV. A
			SCALE N/A	SHEET 1 OF 3

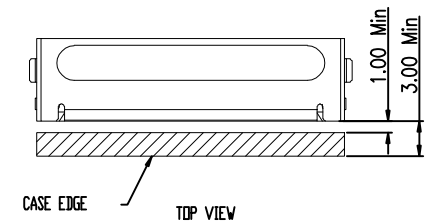


REV.	ECN. NO.	APPD.
A	DWG. REL.	

A
B
C
D
E



= SD PAD
 = MS PAD



NO.	Pin Name	Memory Stick PRO		Memory Stick
		Serial	Parallel	Serial
#21	VSS	Vss		
#20	BS	Protocol Bus State Signal		
#19	DATA1	H-Z	Data Signal1	Vcc
#18	SDIO/DATA0	Data Signal	Data Signal0	Data Signal
#17	DATA2	H-Z	Data Signal2	Reserved
#16	INS	Stick insertion/extraction detect-terminal		
#15	DATA3	H-Z	Data Signal3	Reserved
#14	SCLK	Protocol Clock Signal		
#13	VCC	Vcc		
#12	VSS	Vss		

PIN NO.	Description
#1	CD_SD
#2	DAT2_SD
#3	CD/DAT3_SD
#4	CMD_SD
#5	VSS_SD
#6	VDD_SD
#7	CLK_SD
#8	VSS_SD
#9	DAT0_SD
#10	DAT1_SD
#11	WP_SD
#12	See MS&MS Pro Pin Assignment
#13	
#14	
#15	
#16	
#17	
#18	
#19	
#20	
#21	
#22	GND
#23	GND

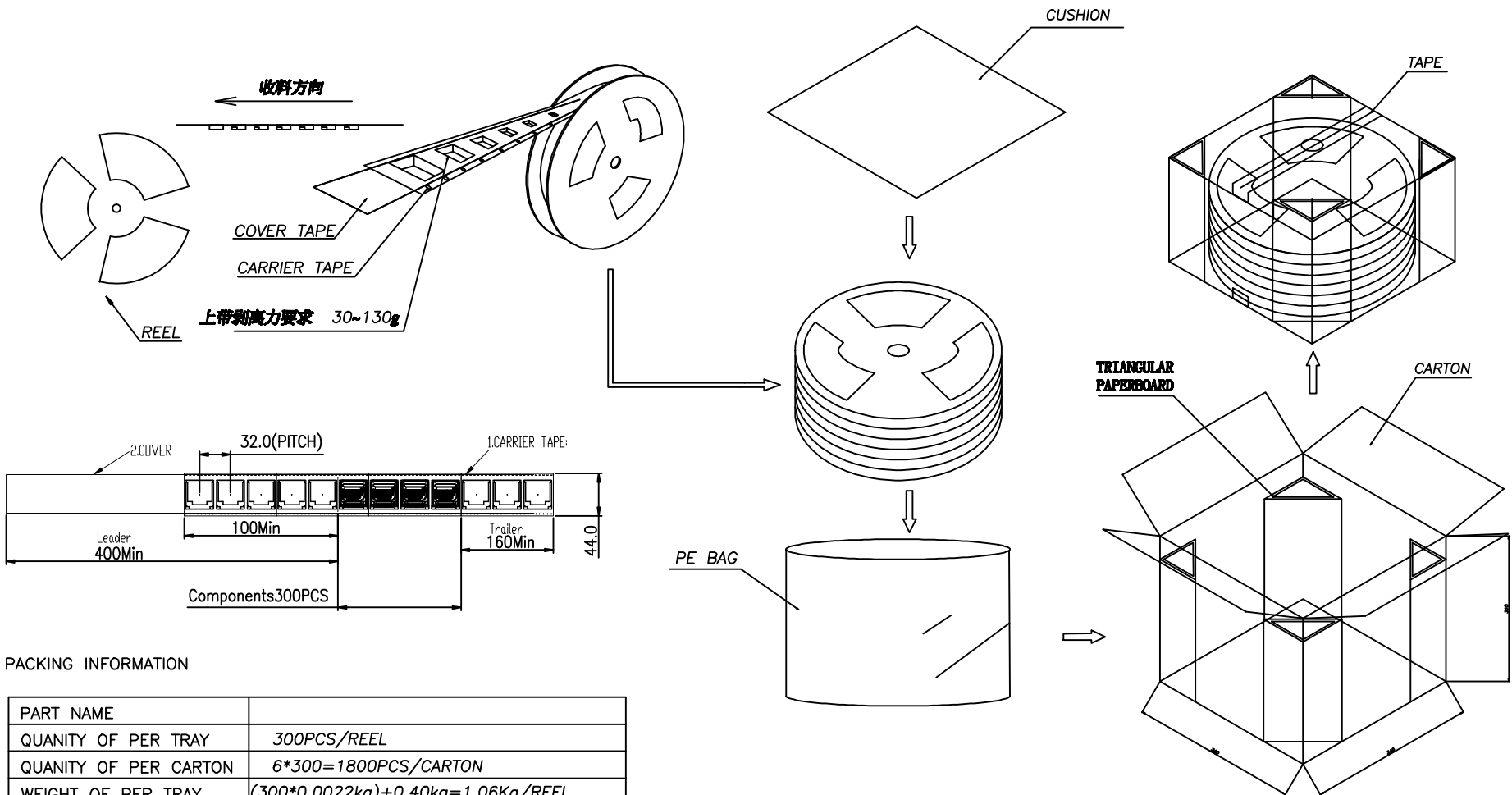
INTENDED USE	Q'TY	HUNG TA H.T.ENTERPRISE CO.,LTD
PART NO. 10100002711000	FINISH	
TOLERANCES .X ± 0.35 .X ± .XX± 0.25 .XX±	MAT'L	FILE NO. 101000027 TITLE: 3IN1 CONN. REVERSE TYPE (FOR MS,SD,MMC) APPD: TERRY 20160506 CHKD: LONG 20160506 DR: LONG 20160506
		DWG NO.: 101000027 SCALE N/A SHEET 2 OF 3

1 2 3 4 5 6 7 8



REV.	ECN. NO.	APPD.
A	DWG. REL.	

A
B
C
D
E



PACKING INFORMATION

PART NAME	
QUANTITY OF PER TRAY	300PCS/REEL
QUANTITY OF PER CARTON	6*300=1800PCS/CARTON
WEIGHT OF PER TRAY	(300*0.0022kg)+0.40kg=1.06Kg/REEL
WEIGHT OF PER CARTON (NET WEIGHT)	6*1.06kg=6.36Kg
GROSS WEIGHT	6.36+1.23=7.59Kg
CARTON SIZE	345*340*340
For ocean and air shipping products cover paperboard	

INTENDED USE	Q'TY	HUNG TA H.T.ENTERPRISE CO.,LTD
PART NO. 101000027111000	FINISH	
TOLERANCES .X ± 0.35 .X ± .XX ± 0.25 .XX ±	MAT'L	FILE NO. 101000027 TITLE: 3IN1 CONN. REVERSE TYPE (FOR MS,SD,MMC) APPD: TERRY 20160506 CHKD: LONG 20160506 DR: LONG 20160506
		DWG NO.: 101000027 SCALE N/A SHEET 3 OF 3