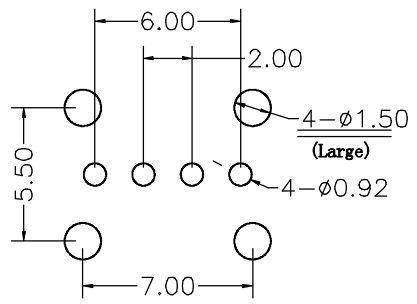
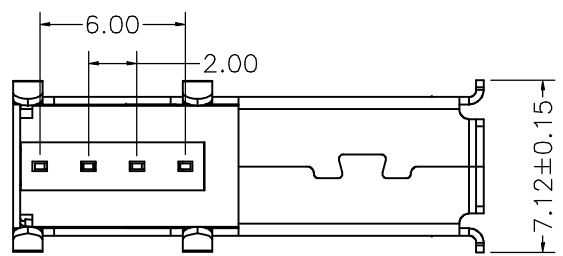
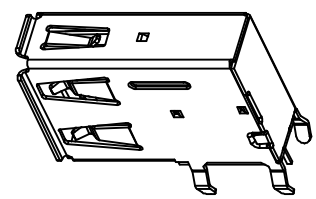
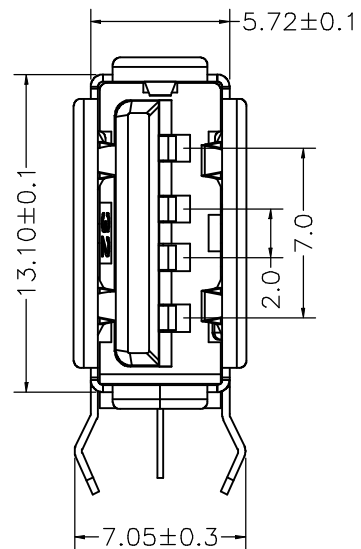
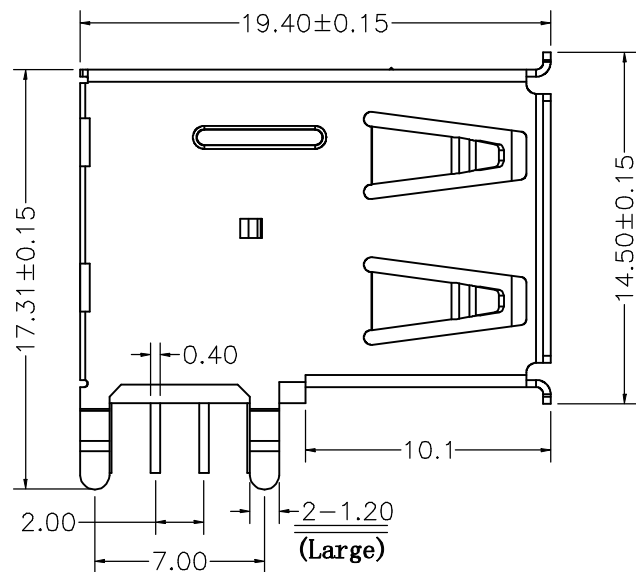


1 2 3 4 5 6 7 8 9 10 11

A  
B  
C  
D  
E  
F  
G  
H  
I  
J

A  
B  
C  
D  
E  
F  
G  
H  
I  
J



**PCB LAYOUT**

**NOTE:**

**SPECIFICATION:**

- 1).Voltage Current Rating: 1A, 30VAC(rms)
- 2).Insulation Resistance: 1000MΩ Min.
- 3).Contact Resistance: 30mΩ Max.
- 4).Dielectric Withstanding Voltage: 500V AC
- 5).Temperature Rating: -20°C to +85°C

**MECHANICAL:**

- 1). Mating Force: 3.57Kgf (35N) Max
- 2). Unmating force: 1.02Kgf (10N) Min
- 3). DURABILITY: 1500 Cycles

GENERAL TOLERANCE				<b>HT HUNG TA H.T. ENTERPRISE CO.,LTD</b>			
General		Angle		TITLE:			
x.	±0.38	x.*	±3.0°	USB AF 90度 侧插(长体) 连接盖			
CHECKED				APPROVED			
.X	±0.30	.X*	±2.0°	PART NO:			
.XX	±0.25	.XX*	±1.0°	K-UAR111-041AN00			
.XXX	±0.10	.XXX*	±0.5°	UNIT:mm		SCALE:1:1	SIZE:A4

△	:	:								
No.	DATE	DESCRIPTION	APPROVE							
1	2	3	4	5	6	7	8	9	10	11

REV:A