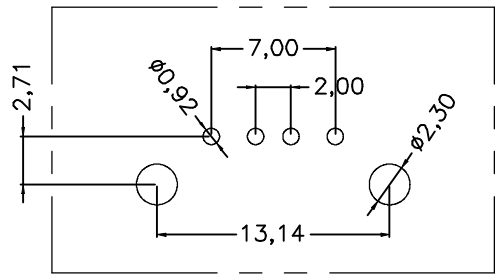
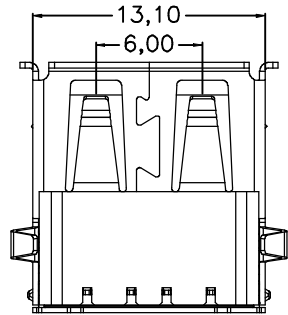
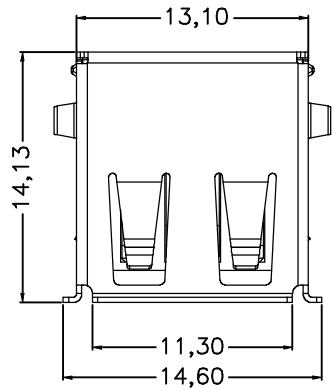
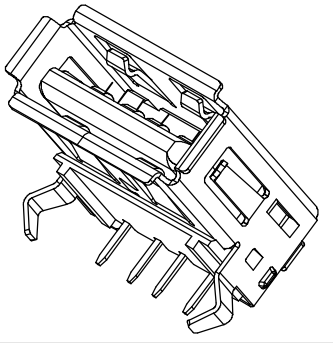


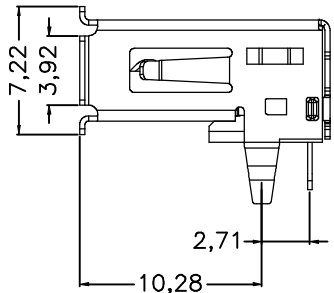
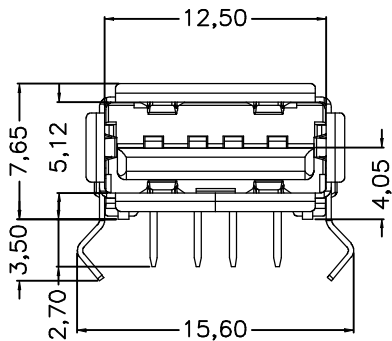
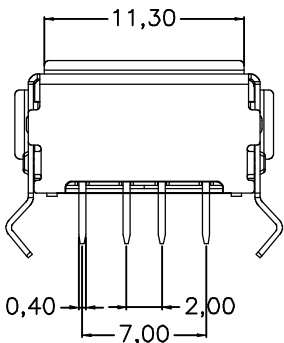
1 2 3 4 5 6 7 8 9 10 11

A
B
C
D
E
F
G
H
I
J

A
B
C
D
E
F
G
H
I
J



RECOMMEND P.C.B LAYOUT (TOLERANCES $\pm 0.05\text{mm}$)
(COMPONENT SIDE) THICKNESS=1.6mm



NOTE:
 SPECIFICATION:
 1).Voltage Current Rating: 1A, 30VAC(rms)
 2).Insulation Resistance: 1000M Ω Min.
 3).Contact Resistance: 30m Ω Max.
 4).Dielectric Withstanding Voltage: 500V AC
 5).Temperature Rating: -20°C to +85°C
 MECHANICAL:
 1). Mating Force: 3.57Kgf (35N) Max
 2). Unmating force: 1.02Kgf (10N) Min
 3). DURABILITY: 1500 Cycles

GENERAL TOLERANCE				HT HUNG TA H.T.ENTERPRISE CO.,LTD			
General		Angle		TITLE:			
X.	± 0.38	X°	$\pm 3.0'$	USB A-F 單層彎腳反向			
.X	± 0.30	.X°	$\pm 2.0'$	PART NO:			
.XX	± 0.25	.XX°	$\pm 1.0'$	K-UAR110-042AN00			
.XXX	± 0.10	.XXX°	$\pm 0.5'$	UNIT:mm		SCALE:1:1	

			CHECKED	APPROVED
Δ	:	:		
No.	DATE	DESCRIPTION	APPROVEDE	

1 2 3 4 5 6 7 8 9 10 11