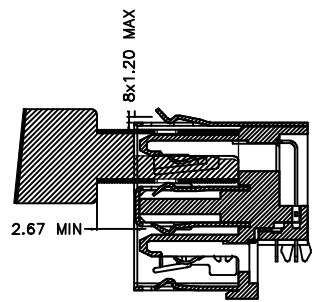
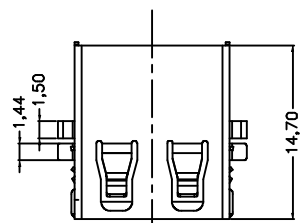
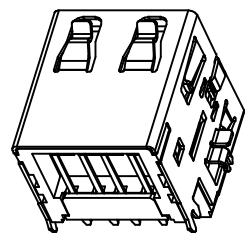


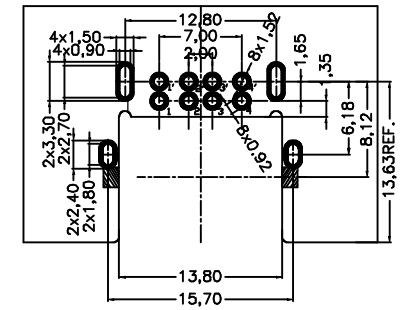
1 2 3 4 5 6 7 8 9 10 11

A
B
C
D
E
F
G
H
I
J

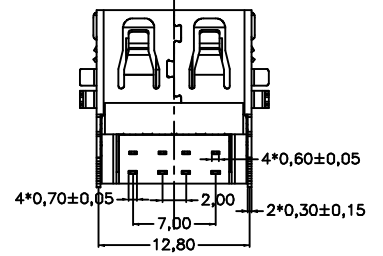
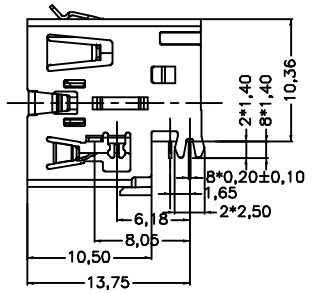
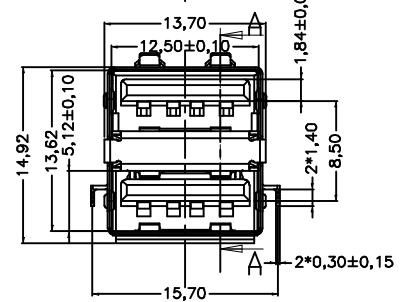
A
B
C
D
E
F
G
H
I
J



SEC. A-A



RECOMMEND P.C.B LAYOUT (TOLERANCES ±0.05mm)



NOTE:
SPECIFICATION:
1).Voltage Current Rating: 1A, 30VAC(rms)
2).Insulation Resistance: 1000MΩ Min.
3).Contact Resistance: 30mΩ Max.
4).Dielectric Withstanding Voltage: 500V AC
5).Temperature Rating: -20°C to +85°C
MECHANICAL:
1). Mating Force: 3.57Kgf (35N) Max
2). Unmating force: 1.02Kgf (10N) Min
3). DURABILITY: 5000 Cycles

GENERAL TOLERANCE				HT HUNG TA H.T.ENTERPRISE CO.,LTD			
General		Angle		TITLE:			
X.	±0.38	X°	±3.0°	USB A			
.X	±0.30	.X°	±2.0°	PART NO:			
.XX	±0.25	.XX°	±1.0°	K-UAR109-081AN20			
.XXX	±0.10	.XXX°	±0.5°	UNIT:mm		SCALE:1:1	
No.		DATE		DESCRIPTION		APPROVE	

				CHECKED	APPROVED			REV:A
1	2	3	4	5	6	7	8	11