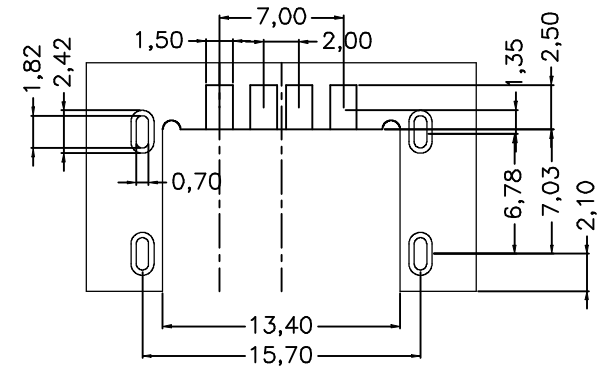
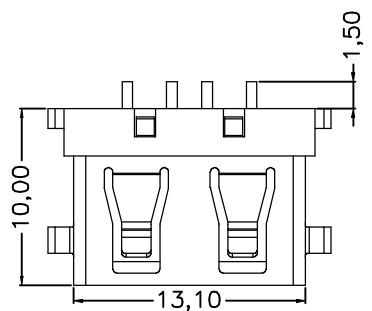
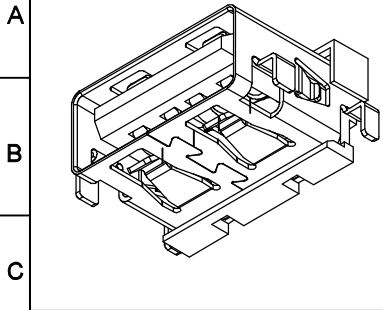
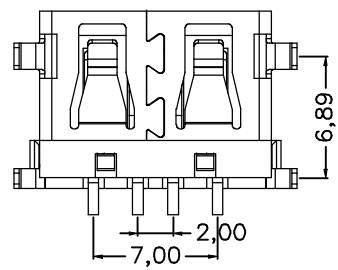
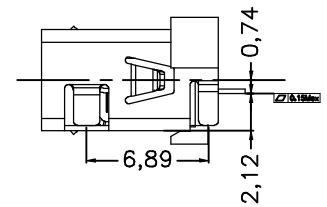
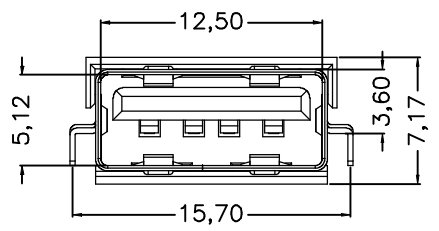


1 2 3 4 5 6 7 8 9 10 11



**RECOMMEND P.C.B LAYOUT (TOLERANCES  $\pm 0.05\text{mm}$ )**  
**(COMPONENT SIDE) THICKNESS=1.6mm**



NOTE:  
 SPECIFICATION:  
 1).Voltage Current Rating: 1A, 30VAC(rms)  
 2).Insulation Resistance: 1000M $\Omega$  Min.  
 3).Contact Resistance: 30m $\Omega$  Max.  
 4).Dielectric Withstanding Voltage: 500V AC  
 5).Temperature Rating: -20°C to +85°C

GENERAL TOLERANCE				<b>HT HUNG TA H.T.ENTERPRISE CO.,LTD</b>			
General		Angle		TITLE:			
X.	$\pm 0.38$	X°	$\pm 3.0'$	USB A-F			
.X	$\pm 0.30$	.X°	$\pm 2.0'$	PART NO:			
.XX	$\pm 0.25$	.XX°	$\pm 1.0'$	K-UAR107-040AN00			
.XXX	$\pm 0.10$	.XXX°	$\pm 0.5'$	UNIT:mm		SCALE:1:1	
No.		DATE		DESCRIPTION		APPROVDE	

				CHECKED	APPROVED
$\Delta$	:	:			
No.	DATE	DESCRIPTION	APPROVDE		

1 2 3 4 5 6 7 8 9 10 11

A  
B  
C  
D  
E  
F  
G  
H  
I  
J

A  
B  
C  
D  
E  
F  
G  
H  
I  
J