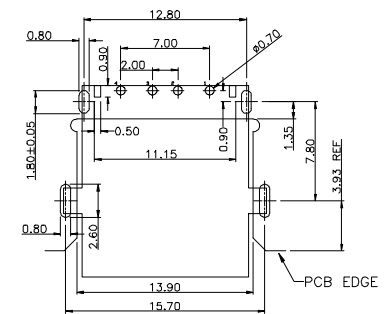
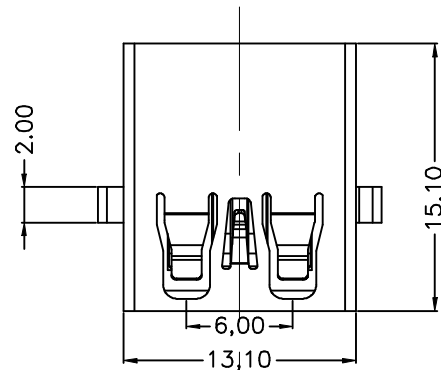
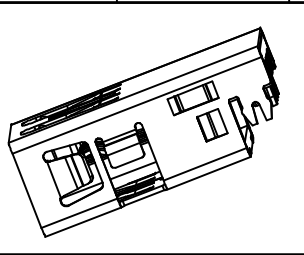


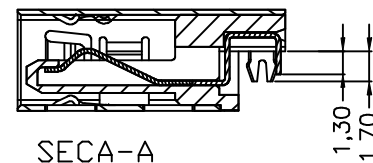
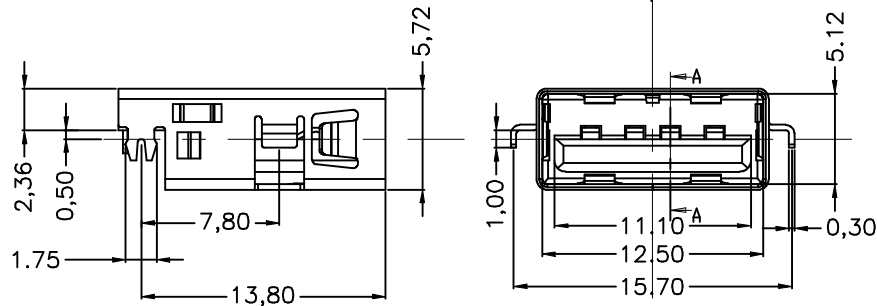
1 2 3 4 5 6 7 8 9 10 11

A  
B  
C  
D  
E  
F  
G  
H  
I

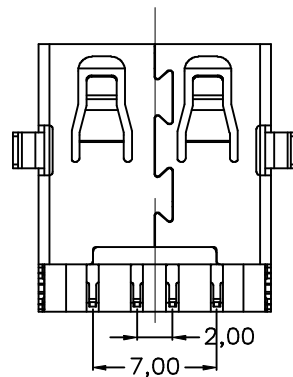
A  
B  
C  
D  
E  
F  
G  
H  
I



RECOMMENDED P.C.B LAYOUT (COMPONENT SIDE)  
P.C.B THICKNESS T=1.2MM  
(TOLERANCE±0.05)



SECA-A



NOTE:  
SPECIFICATION:  
1).Voltage Current Rating: 1.5A, 30VAC(rms)  
2).Insulation Resistance: 1000M $\Omega$  Min.  
3).Contact Resistance: 30m $\Omega$  Max.  
4).Dielectric Withstanding Voltage: 500V AC

MECHANICAL:  
1). Mating Force: 3.57Kgf (35N) Max  
2). Unmating force: 1.02Kgf (10N) Min  
3). DURABILITY: 1500 Cycles

GENERAL TOLERANCE				<b>HT HUNG TA H.T.ENTERPRISE CO.,LTD</b>			
General		Angle		TITLE:			
X.	±0.38	X°	±3.0°	USB A F 2.0 H 2.36			
.X	±0.30	.XX°	±2.0°	PART NO:			
.XX	±0.25	.XXX°	±1.0°	K-UAR106-041AN20			
.XXX	±0.10	.XXX°	±0.5°	UNIT:mm		SCALE:1:1	
No.		DATE		DESCRIPTION		APPROVDE	

				CHECKED	APPROVED			REV:A
1	2	3	4	5	6	7	8	9