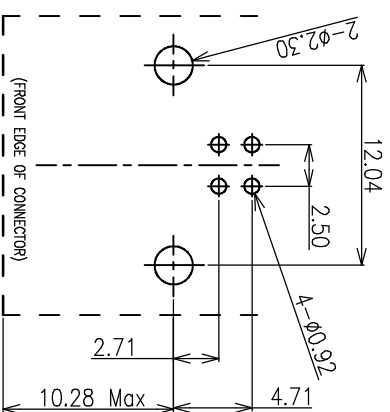
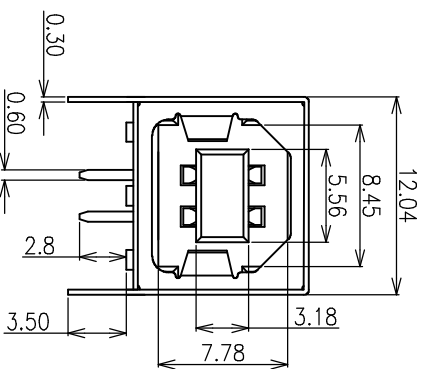
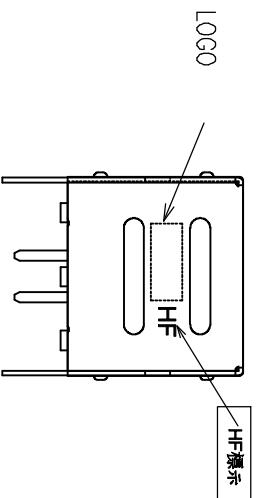
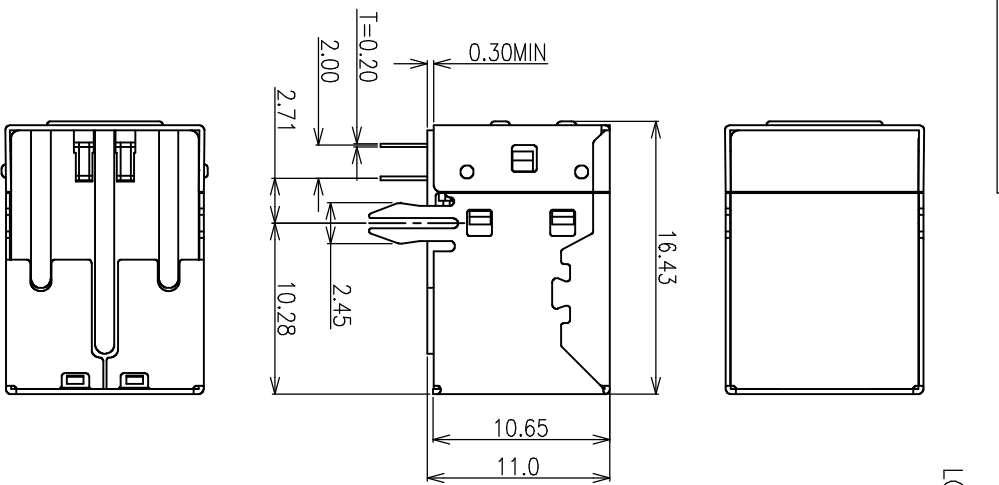


LCP 黑色無窗



Note:

- MECHANICAL:
 - MATING: 35N MAX.
 - WITHDRAWAL: 10N MIN FOR BRASS, 7N MIN FOR SPCC.
 - DURABILITY: 1500 CYCLES MIN.
- ELECTRICAL:
 - CURRENT: 1.5A MAX
 - VOLTAGE: 30V MAX
 - WITHSTANDING VOLTAGE: 500V AC
 - CONTACT RESISTANCE: 30 mΩ MAX
 - INSULATION RESISTANCE: 1000MΩ MIN
- ENVIRONMENTAL
 - TEMPERATURE RANGE -55°C ~ +85°C

HT HUNG TA.H.T. ENTERPRISE CO.,LTD

GENERAL TOLERANCE NOTED
UNLESS OTHERWISE NOTED

Angle ±5° TITLE:

X. ±0.50 USB 2.0 BF 90D Anti" SPCC BK HP

.X ±0.35 PART NO:

.XX ±0.25 K-UAR103-041AN00

.XXX ±0.15 UNIT:mm SCALE:1:1 SIZE:A4

△	DATE	DESCRIPTION	APPROVED	CHECKED	APPROVED
---	------	-------------	----------	---------	----------

No.	DATE	DESCRIPTION	APPROVED	CHECKED	APPROVED
-----	------	-------------	----------	---------	----------