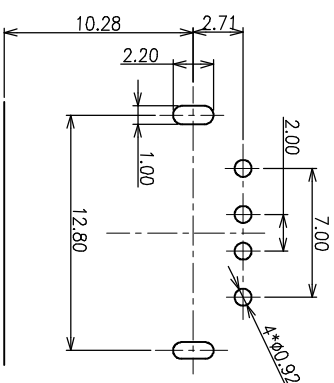
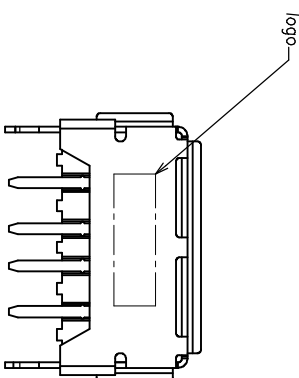
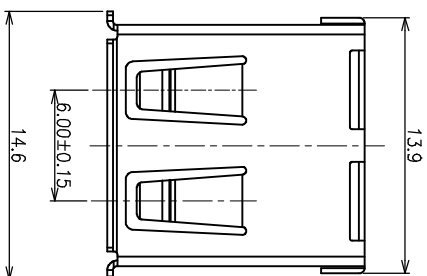
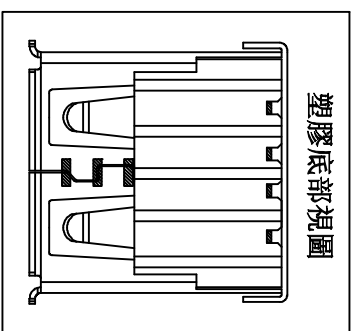
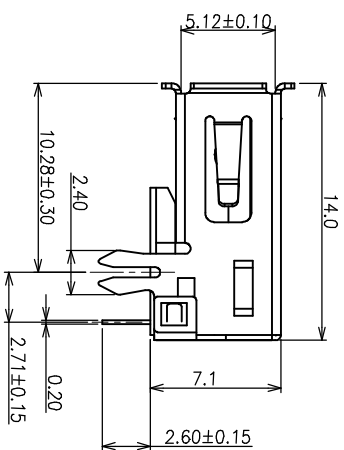
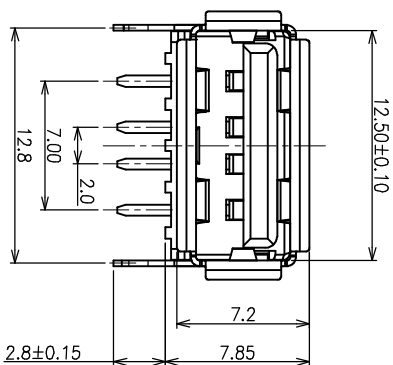


LCP 黑色無窗



PCB LAYOUT
TOLERANCE:±0.05



HT HUNG TA H.T. ENTERPRISE CO., LTD

TITLE: USB2.0 A type 7.1H LCP (HP)

Angle ±5°

X. ±0.50

X. ±0.35

.XX ±0.25

.XXX ±0.15

CHECKED

APPROVED

PART NO: K-UAR101-041AN00

UNIT:mm

SCALE:1:1

SIZE:A4

REV:A

DESCRIPTION

APPROVED

CHECKED

APPROVED

DATE

No.

1

2

3

4

5

6

7

8

9

10

11