

1

3

4

5

6

7

8

9

10

11

A

B

C

D

E

F

G

H

I

J

A

B

C

D

E

F

G

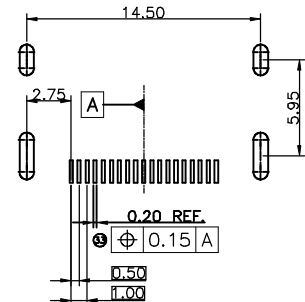
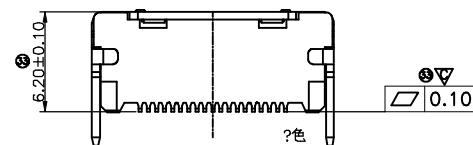
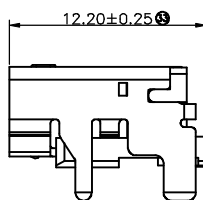
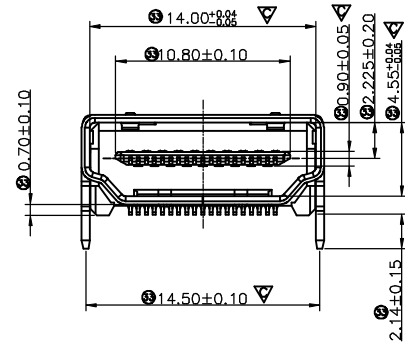
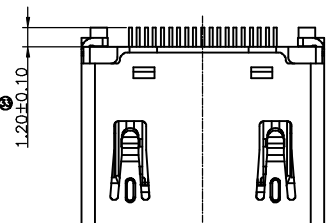
H

I

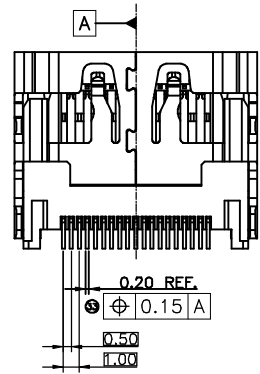
J

NOTES:

- 1. MATERIALS:
HOUSING: THERM-PLASTIC+30%GLASS FILLED, BLACK, UL94V-0
CONTACTS: COPPER ALLOY
SHELL: COPPER ALLOY
- 2. PLATING:
SHELL: NICKEL PLATING OVERALL.
CONTACT: GOLD PLATING OVER NICKEL IN CONTACT, NICKEL PLATING OVERALL
- 3. RoHS COMPLIANT
- 4. DIMENSIONS MARKED ⊗ SHOULD BE MEASURED BY FAI.
- 5. DIMENSIONS MARKED ▽ MUST BE CONTROLLED IN QIP.



RECOMMENDED PCB LAYOUT
TOL: ±0.05



GENERAL TOLERANCE				HT HUNG TA H.T. ENTERPRISE CO., LTD				
General		Angle		TITLE:				
X.	±0.38	X°	±3.0°	HDMI D TYPE SMT MALE CONNECTOR				
.X	±0.30	.X°	±2.0°	PART NO:				
.XX	±0.20	.XX°	±1.0°	K-HAR101-191AN20				
.XXX	±0.10	.XXX°	±0.5°	UNIT: mm		SCALE: 1:1		REV: A

				CHECKED	APPROVED				
No.	DATE	DESCRIPTION	APPROVE						
1	2	3	4	5	6	7	8	9	10