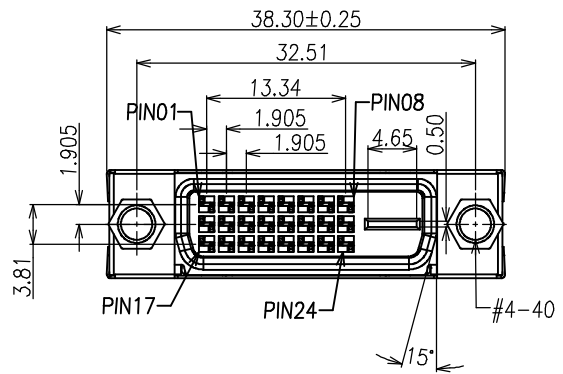
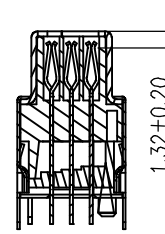
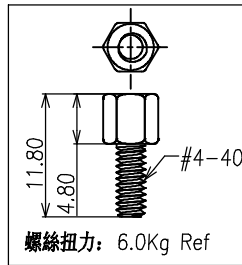


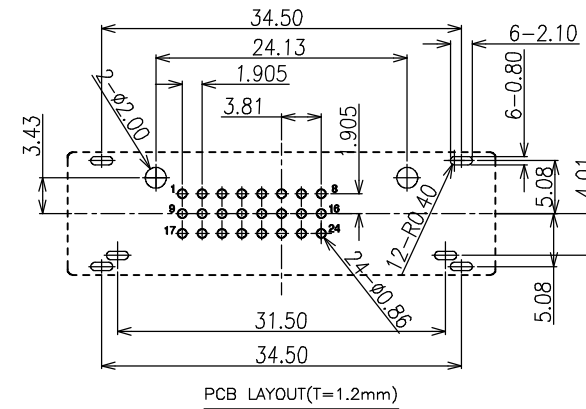
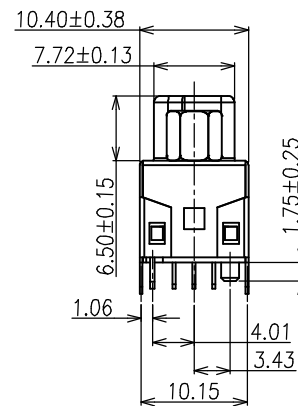
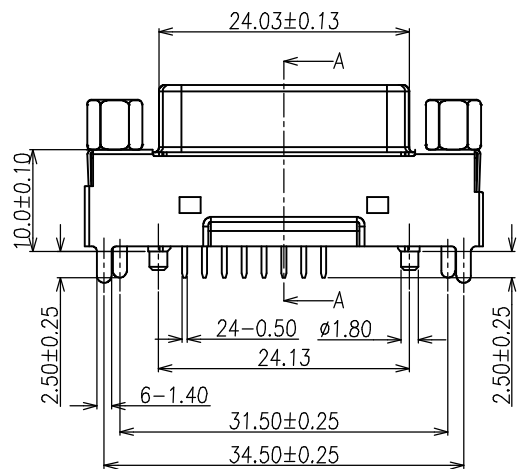
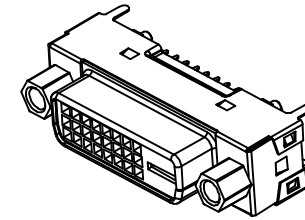
RoHS



螺絲規格



SEC A-A



PCB LAYOUT(T=1.2mm)

GENERAL TOLERANCE UNLESS OTHERWISE NOTED		<b>HT HUNG TA H.T. ENTERPRISE CO., LTD</b>	
Angle	±5°	TITLE:	
x.	±0.50	DIV-D 立式 10H 帶屏蔽鎖螺絲 (組裝圖)	
.x	±0.35	PART NO:	
.xx	±0.25	K-DVN101-241AN00	
.xxx	±0.15	UNIT:mm	SCALE:1:1
		SIZE:A4	REV:A

				CHECKED	APPROVED
△	:	:			
No.	DATE	DESCRIPTION	APPROVED		
1	2	3	4	5	6