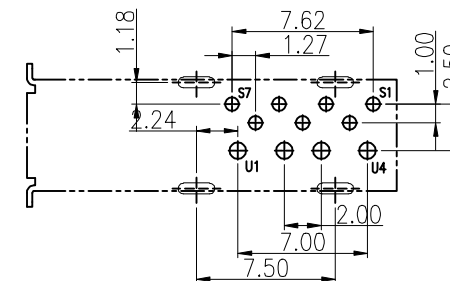
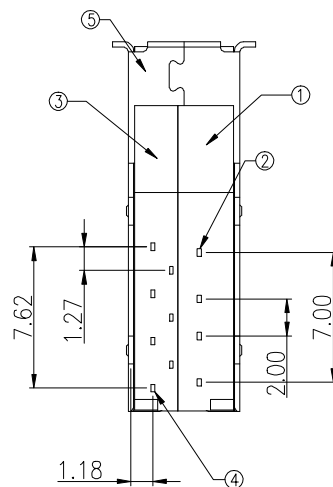
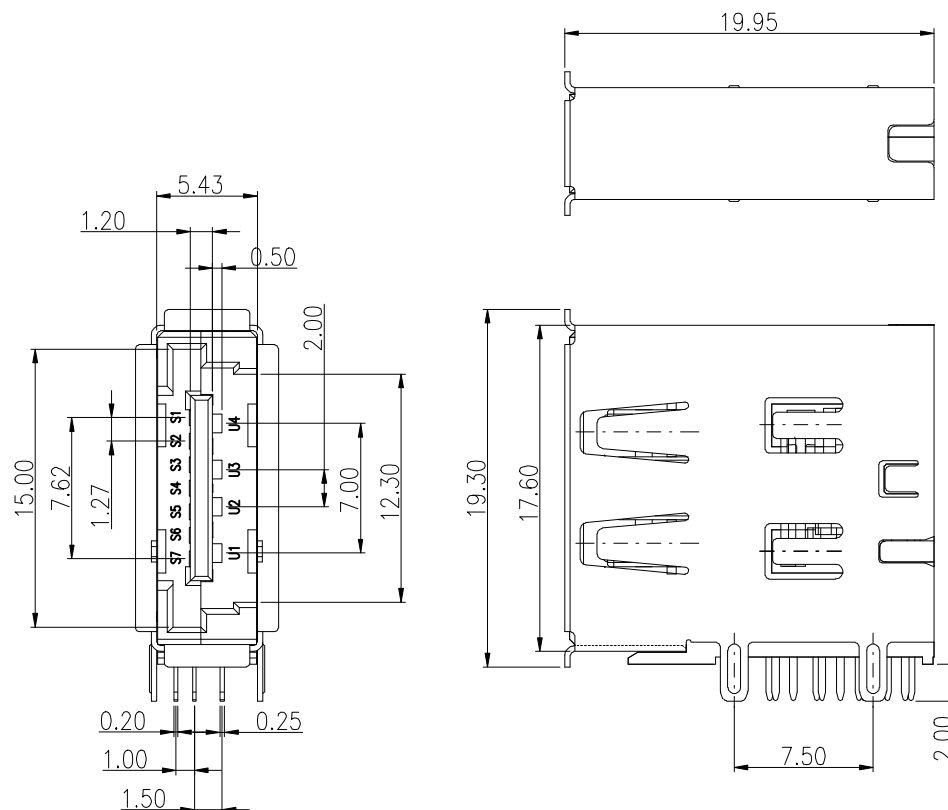


REV.	ECN. NO.	APPD.
A	DWG. REL.	



PCB LAYOUT
COMPONENT SIDETOLERANCE:±0.05

PART NO. DESCRIPTION:

ESP05 - 11 * * * * *
①②③④⑤

- | | |
|---|--------------------------------------|
| ① HOUSING COLOR
1: BLACK | ④ PACKAGE
0: TRAY
2: TAPE REEL |
| ② CONTACT PLATED
A: G/F+MATTE TIN
1: G/F+BRIGHT TIN | ⑤ MARK
H: HT+D/C |
| ③ SHELL PLATED
N: NICKLE | |

NO.	NAME	MATERIAL	Q'TY	STANDARD	NOTE
5	SHELL	BRASS	1	20u"MIN.NICKEL PLATING OVER ALL	
4	ESATA CONTACT	BRASS	7	Underplate:Min.Ni30u". Mating area: Au 15u" Solder Tails:Min 80u" tin	
3	ESATA HOUSING	LCP	1	UL94V-0	BLACK
2	USB CONTACT	PHOSPHOR BRONZE	4	Underplate:Min.Ni30u". Mating area: Au 30u" Solder Tails:Min 80u" tin	
1	USB HOUSING	LCP	1	UL94V-0	BLACK

INTENDED USE		Q'TY	HUNG TA H.T.ENTERPRISE CO.,LTD	
PART NO. ESP05-11*****		FINISH	FILE NO. C-ESP05-00-A0	TITLE: BSATA-P 侧插式(SATA+USB)
TOLERANCES .x ± 0.35 .x' ± .xx± 0.25 .xx'±		MAT'L	APPD: HONDA 20171125	DWG NO.: C-ESP05-00-A0
			CHKD: LONG 20171125	REV. A
			DR: LONG 20171125	SCALE N/A SHEET 1 OF 1