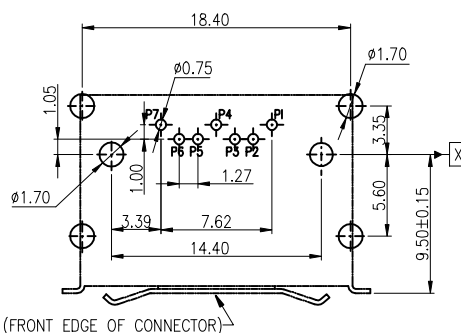
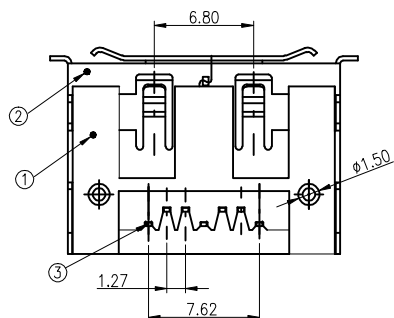
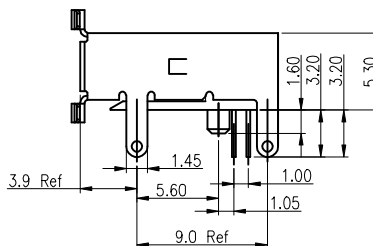
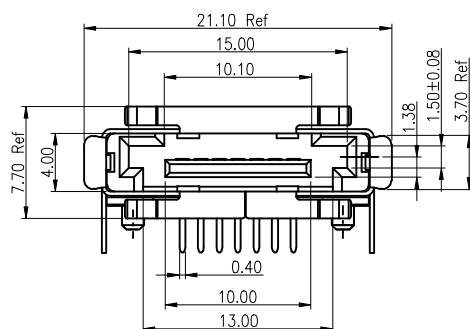
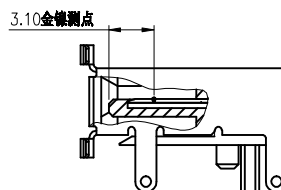
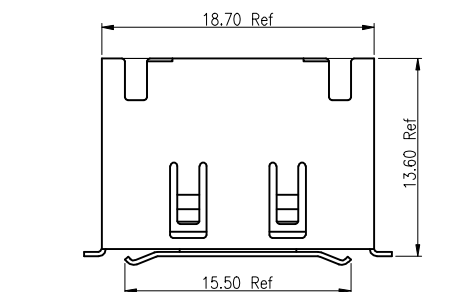
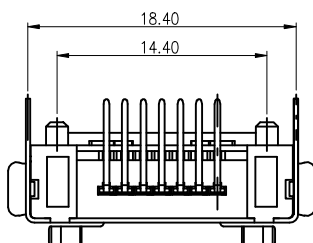


REV.	ECN. NO.	APPD.
A	DWG. REL.	



(FRONT EDGE OF CONNECTOR)

RECOMMEND P.C.BOARD MOUNTING DIMENSIONS t=1.60mm  
PCB TOLERANCE:±0.05



PART NO. DESCRIPTION:

ESP04 - 07 \* \* \* \* \*  
①②③④⑤

- ① HOUSING COLOR  
1: BLACK
- ② CONTACT PLATED  
A: G/F+MATTE TIN  
1: G/F+BRIGHT TIN
- ③ SHELL PLATED  
N: NICKLE
- ④ PACKAGE  
0: TRAY  
2: TAPE REEL
- ⑤ MARK  
H: HT+D/C

3	CONTACT	BRASS	7	Underplate:Min.Ni30u" ON Mating area SELECTION GOLD Solder Tails:Min 80u" MATTE TIN	
2	SHELL	BRASS	1	Min. Ni 30u"	
1	HOUSING	LCP	1	UL94V-0	BLACK
NO.	NAME	MATERIAL	Q'TY	STANDARD	NOTE
INTENDED USE		Q'TY FINISH		HUNG TA H.T.ENTERPRISE CO.,LTD	
PART NO. ESP04-07*****		FILE NO. C-ESP04-00-A0		TITLE: ESATA 7P 标准平头式板上连接器(ESATA)	
TOLERANCES .x ± 0.35 .x' ± .xx± 0.25 .xx'±		MAT'L		APPD: HONDA 20171114	DWG NO.: C-ESP04-00-A0
				CHKD: LONG 20171114	REV. A
				DR: LONG 20171114	SCALE N/A SHEET 1 OF 1