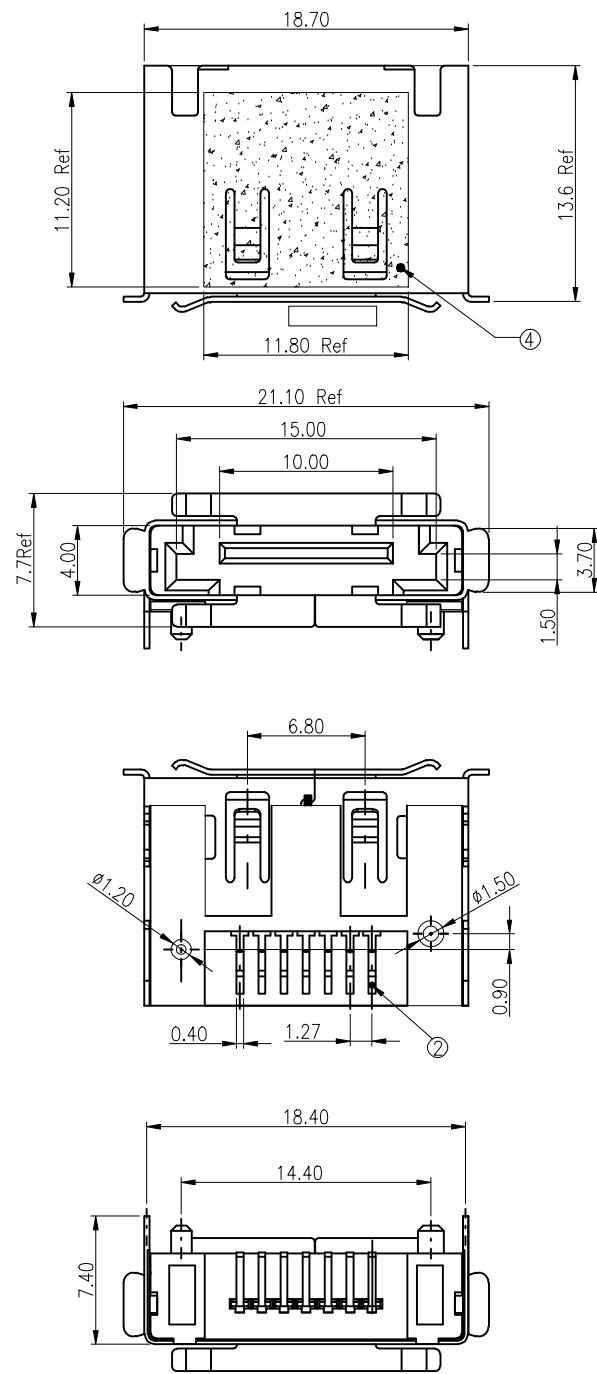


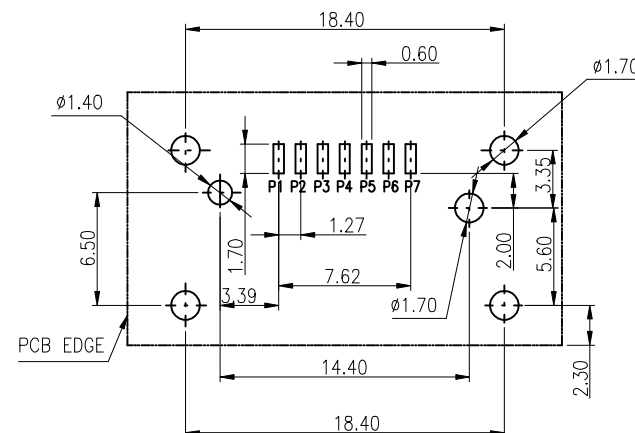
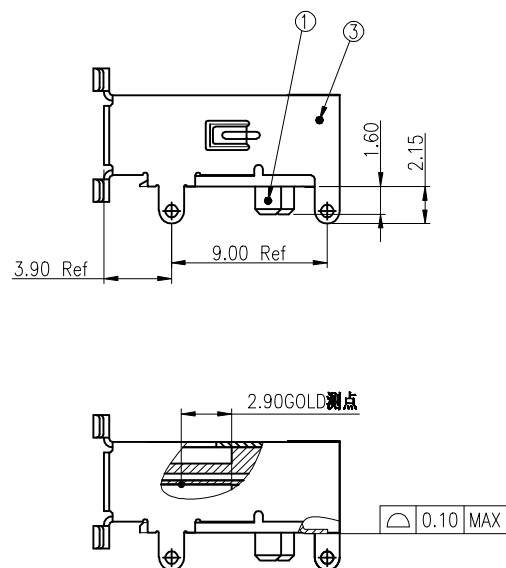
REV.	ECN. NO.	APPD.
A	DWG. REL.	



PART NO. DESCRIPTION:

ESP03 - 07 * * * * *
①②③④⑤

- ① HOUSING COLOR
1: BLACK
- ② CONTACT PLATED
A: G/F+MATTE TIN
1: G/F+BRIGHT TIN
- ③ SHELL PLATED
N: NICKLE
- ④ PACKAGE
0: TRAY
2: TAPE REEL
- ⑤ MARK
H: HT+D/C



RECOMMEND P.C.BOARD MOUNTING DIMENSIONS t=1.60mm
PCB TOLERANCE:±0.05

4	Mylar	/	/	/	/
3	SHIELD	BRASS	1	Min. Ni 30u"	C2680
2	CONTACT	BRASS	7	Underplate:Min.Ni30u", Mating area:Min.Au SELECTION Solder Tails:Min 80u" tin	C2680
1	HOUSING	LCP GF30%	1	UL94V-0	BLACK
NO.	NAME	MATERIAL	Q'TY	STANDARD	Plated
INTENDED USE			Q'TY	HUNG TA H.T.ENTERPRISE CO.,LTD	
PART NO.			FINISH	FILE NO.	TITLE:
ESP03-07*****				C-ESP03-00-A0	ESATA 7P 板下F5M1 (板下)
TOLERANCES			MAT'L	APPD: HONDA 20171114	DWG NO.: C-ESP03-00-A0
.x ± 0.35 .x ±				CHKD: LONG 20171114	REV. A
.xx± 0.25 .xx±				DR: LONG 20171114	SCALE N/A SHEET 1 OF 1