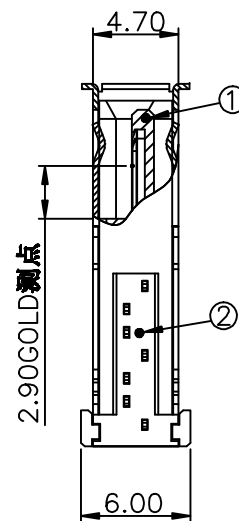
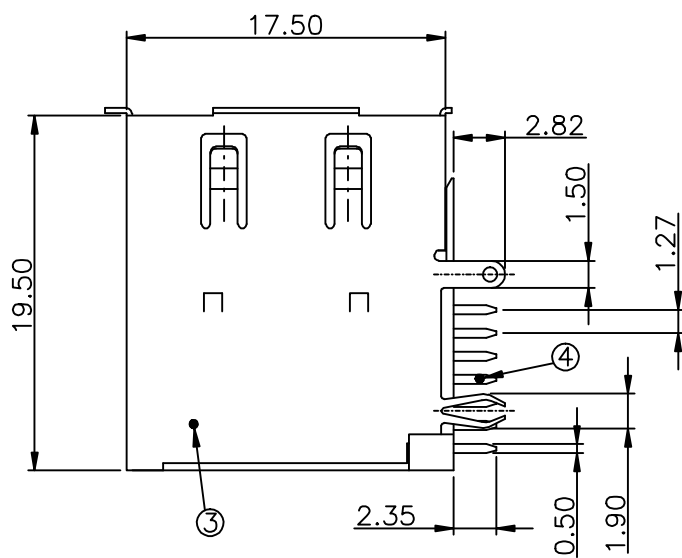
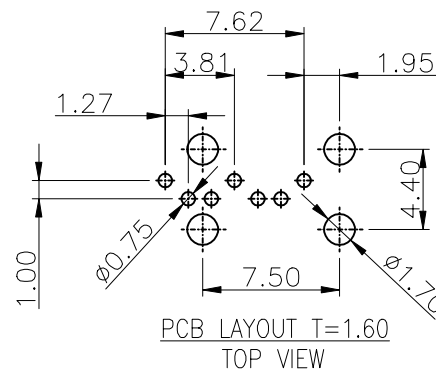
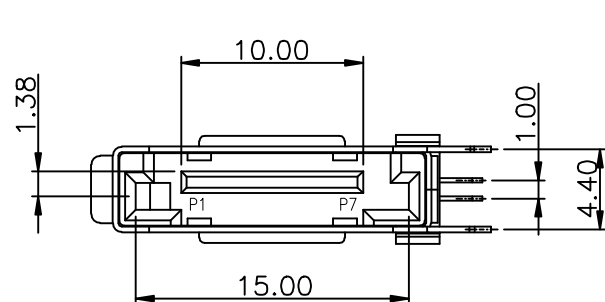


REV.	ECN. NO.	APPD.
A	DWG. REL.	



PART NO. DESCRIPTION:

ESP02 - 07 \* \* \* \* \*  
①②③④⑤

- ① HOUSING COLOR 1: BLACK
- ② CONTACT PLATED A: G/F+MATTE TIN 1: G/F+BRIGHT TIN
- ③ SHELL PLATED N: NICKLE
- ④ PACKAGE 0: TRAY
- ⑤ MARK H: HT+D/C

4	CONTACT	BRASS	7	Underplate:Min.Ni30u", Mating area:Min.Au SELECTION Solder Tails:Min 80u" tin	C2680
3	SHIELD	BRASS	1	Min. Ni 30u"	C2680
2	STOPPER	LCP/NY-6T GF30%	1	UL94V-0	BLACK/RED
1	HOUSING	LCP/NY-6T GF30%	1	UL94V-0	BLACK/RED
NO.	NAME	MATERIAL	Q'TY	STANDARD	NOTE

INTENDED USE	Q'TY FINISH			HUNG TA H.T.ENTERPRISE CO.,LTD
PART NO. ESP02-07*****		FILE NO. C-ESP02-00-A0	TITLE: <b>ESATA 7P 公座90度插式</b>	
TOLERANCES .x ± 0.35 .x' ± .xx± 0.25 .xx' ±	MAT'L	APPD: HONDA 20171114 CHKD: LONG 20171114 DR: LONG 20171114	DWG NO.: C-ESP02-00-A0	REV. A
		SCALE N/A	SHEET 1 OF 1	