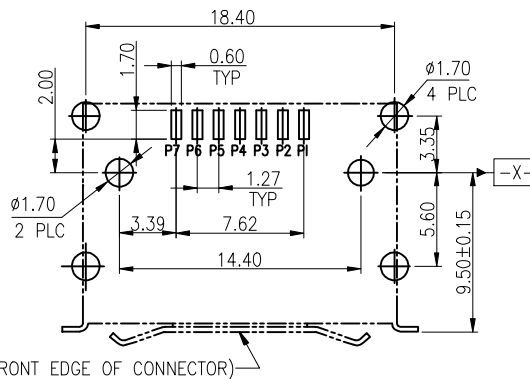
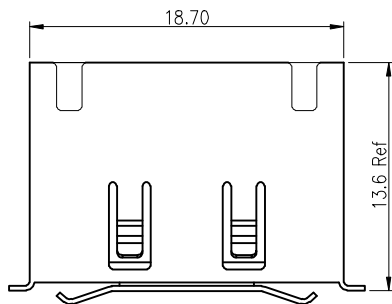
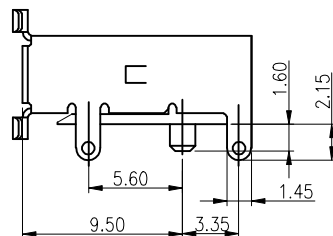
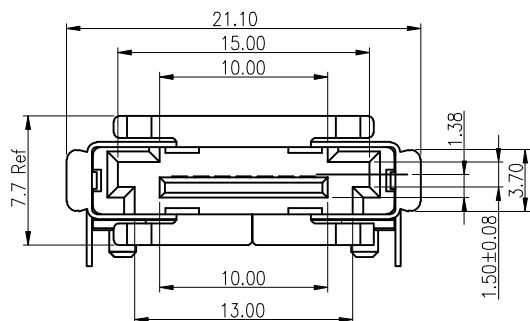


REV.	ECN. NO.	APPD.
A	DWG. REL.	



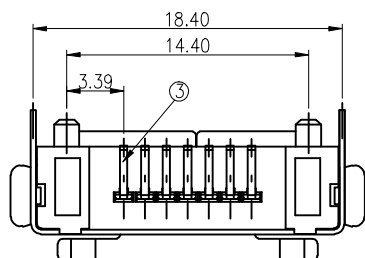
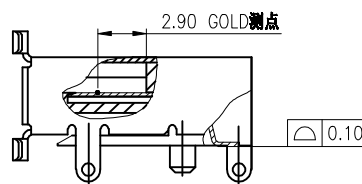
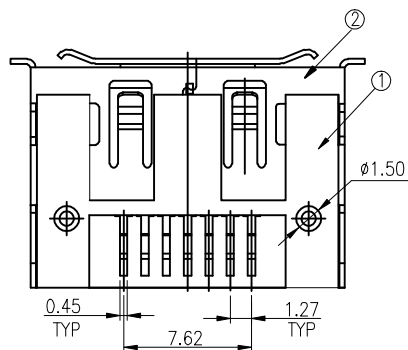
RECOMMEND P.C.BOARD MOUNTING DIMENSIONS t=1.60mm
PCB TOLERANCE:±0.05



PART NO. DESCRIPTION:

ESP01 - 07 * * * * *
①②③④⑤

- ① HOUSING COLOR
1: BLACK
- ② CONTACT PLATED
A: G/F+MATTE TIN
1: G/F+BRIGHT TIN
- ③ SHELL PLATED
N: NICKLE
- ④ PACKAGE
0: TRAY
2: TAPE REEL
- ⑤ MARK
H: HT+D/C



3	CONTACT	BRASS	7	Underplate:SELECTION GOLD PLATING ON CONTACT AREA 80u" MIN.TIN PLATING ON SOLDERTAILS 30u" MIN.NICKEL UNDERPLATING OVER ALL	C2680H*0.25t
2	SHELL	BRASS	1	Underplate: NICKEL UNDERPLATING OVER ALL	C2680H*0.3t
1	HOUSING	LCP 30% G/F	1	UL94V-0	BLACK
NO.	NAME	MATERIAL	Q'TY	STANDARD	NOTE

INTENDED USE		Q'TY	HUNG TA H.T.ENTERPRISE CO.,LTD
PART NO.		FINISH	
ESP01-07*****		FILE NO.	C-ESP01-00-A0
TOLERANCES		TITLE:	ESATA 7P 板端板上SMT型
.X ± 0.35 .X' ±		APPD:	HONDA 20161109
.XX ± 0.25 .XX' ±		CHKD:	LONG 20161109
		DR:	LONG 20161109
		DWG NO.:	C-ESP01-00-A0
		REV.	A
		SCALE	N/A
		SHEET	1 OF 1