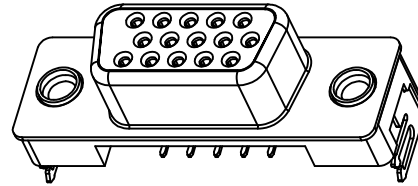
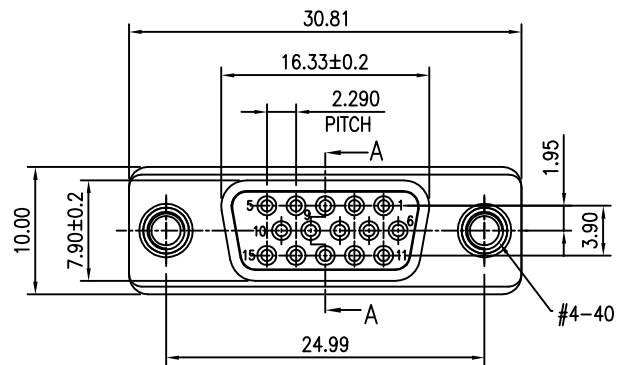
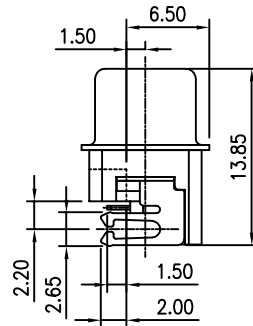
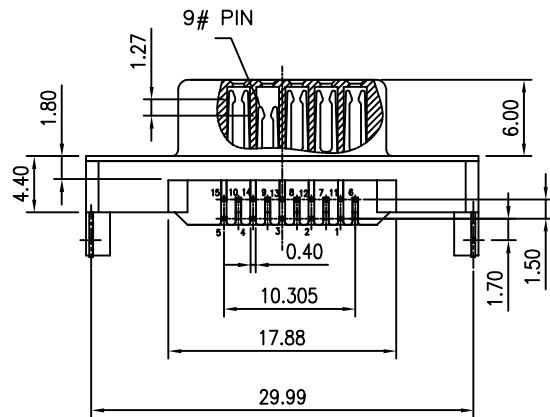


REV.	ECN. NO.	APPD.

A

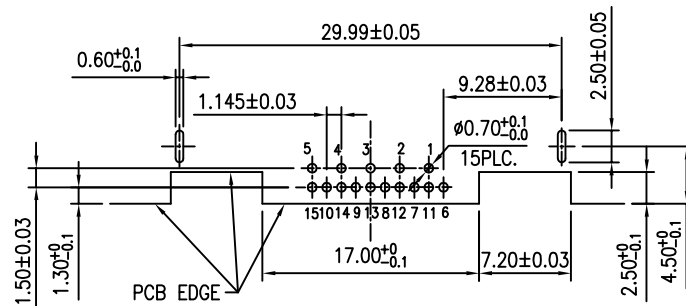


B



C

D



RCOMMENDED PCB LAYOUT(COMPONENT SIDE)
TOLERANCE: ±0.05 PCB THINKNESS=1.2mm

E

MATERIAL:

- ① HOUSING: THERMOPLASTIC, GLASS FIBER FILLED.
UL 94V-0 RATED.
- ② SPACER: THERMOPLASTIC, GLASS FIBER FILLED.
UL 94V-0 RATED.
- ③ CONTACT: PHOSPHOR BRONZE (t=0.30mm).
- ④ FRONT SHIELD: SPCC (t=0.40mm).
- ⑤ HOOK: BRASS(t=0.30mm).
- ⑥ NUT: BRASS.

FINISH:

- CONTACT: UNDER PLATED 50u" MIN. NICKEL ALL OVER 100u" MIN. TIN IN SOLDERING AREA GOLD PLATED IN CONTACT AREA.
- FRONT SHIELD: NICKEL PLATED WITH 40u" THICK.
- HOOK : TIN PLATED WITH 120u" THICK.
- NUT: NICKEL PLATED WITH 40u" THICK.

PART NO. DESCRIPTION:

DOR03-15 * * N * *
① ② ③ ④ ⑤

- ① HOUSING COLOR ④ PACKAGE
1: BLACK 0: TRAY
- ② CONTACT GOLD PLATED ⑤ MARK
A: G/F+MATTE TIN 0: NON MARK
B: 15u"+MATTE TIN V: JIP
C: 30u"+MATTE TIN
- ③ SHELL PLATING
N: NICKEL

INTENDED USE	Q'TY		HUNG TA H.T.ENTERPRISE CO.,LTD	
PART NO. DOR03-15**N**	FINISH		FILE NO. C-DOR03-00-A0	TITLE: D-Sub 3A 15Pin CL=1.5mm
TOLERANCES .X ± 0.35 .X ± .XX ± 0.25 .XX ±	MAT'L	APPD: Kevin 10/22/09 CHKD: Allon 10/22/09 DR: Allon 10/22/09	DWG NO.: C-DOR03-00-A0	REV. A
			SCALE N/A	SHEET 1 OF 1