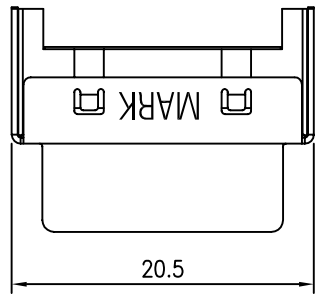


REV.	ECN. NO.	APPD.

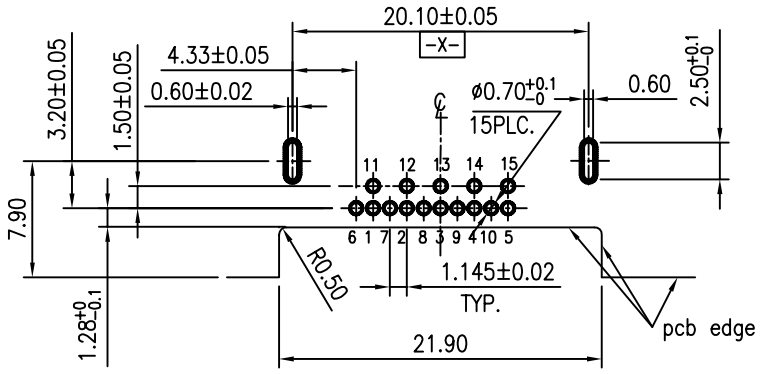
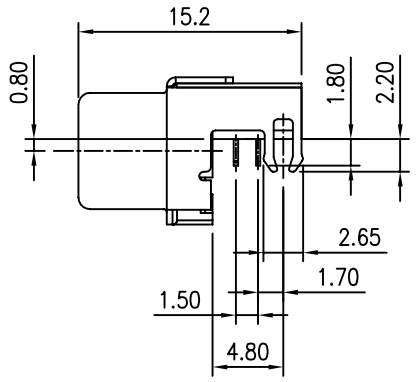
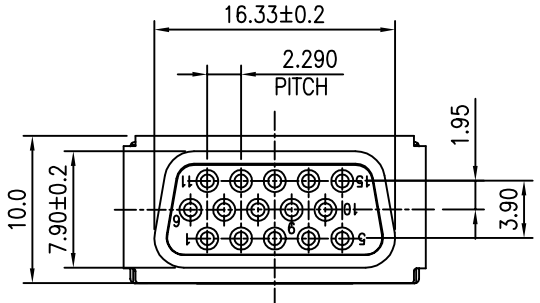
A
B
C
D
E



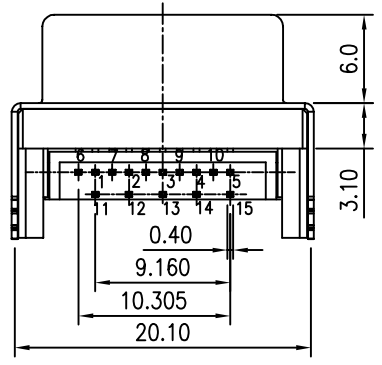
MATERIAL:
 Ⓐ HOUSING: THERMOPLASTIC, GLASS FIBER FILLED.
 UL 94V-0 RATED.
 Ⓑ SPACER: THERMOPLASTIC, GLASS FIBER FILLED.
 UL 94V-0 RATED.
 Ⓒ INSULATION SPACER: THERMOPLASTIC, GLASS FIBER FILLED.
 UL 94V-0 RATED.
 Ⓓ CONTACT: PHOSPHOR BRONZE (t=0.30mm).
 Ⓔ FRONT SHIELD: SPCC (t=0.40mm).

PART NO. DESCRIPTION:
 DOR02-15 * * N * *
 ① ② ③ ④ ⑤
 ① HOUSING COLOR ④ PACKAGE
 1:BLACK 0: TRAY
 ② CONTACT GOLD PLATED ⑤ MARK
 A:G/F+MATTE TIN 0:NON MARK
 ③ SHELL PLATING 5:+D/C
 N:NICKEL V: JJP+D/C

FINISH:
 CONTACT: UNDER PLATED 50u" MIN. NICKEL ALL OVER 100u" MIN. TIN IN SOLDERING AREA GOLD PLATED IN CONTACT AREA.
 FRONT SHIELD: NICKEL PLATED WITH 100u"MIN. THICK.



RCOMMENDED PCB LAYOUT(COMPONENT SIDE)
 TOLERANCE: ±0.05 PCB THINKNESS=1.2mm



INTENDED USE	Q'TY	HUNG TA H.T.ENTERPRISE CO.,LTD
PART NO. DOR02-15**N**	FINISH	
TOLERANCES .X ± 0.35 .X ± .XX ± 0.25 .XX ±	MAT'L	FILE NO. C-DOR02-00-A0 TITLE: D-Sub 3Row 15Pin CL=0.8mm APPD: Kevin 7/09/09 DWG NO.: C-DOR02-00-A0 CHKD: Allon 7/09/09 DR: Allon 7/09/09 REV. A SCALE N/A SHEET 1 OF 1