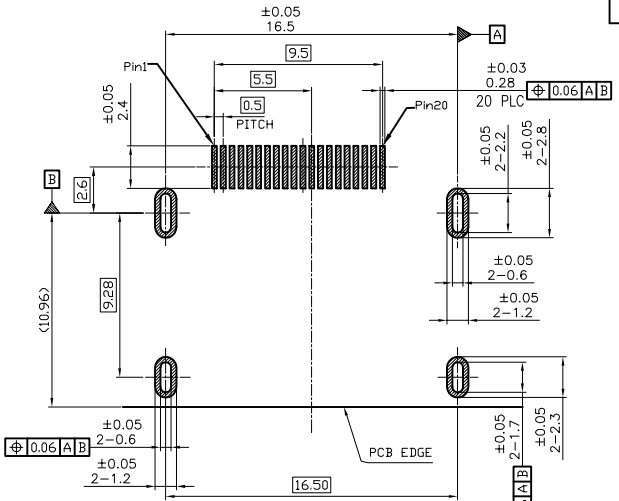
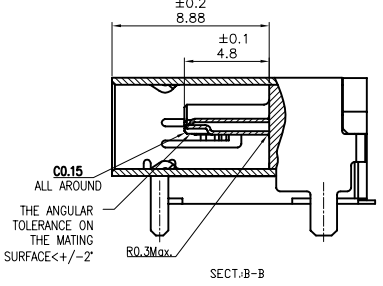
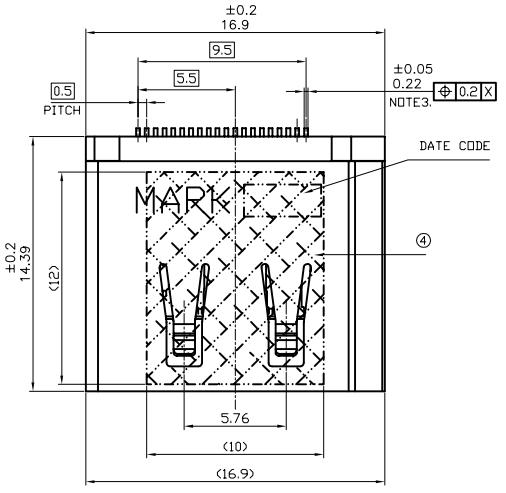
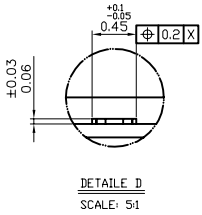
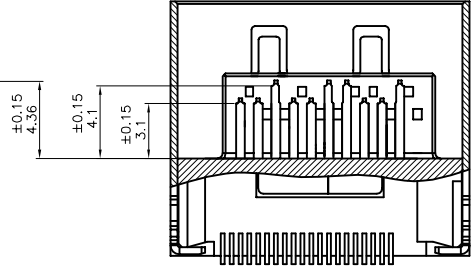
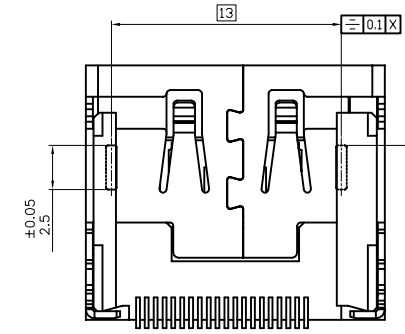
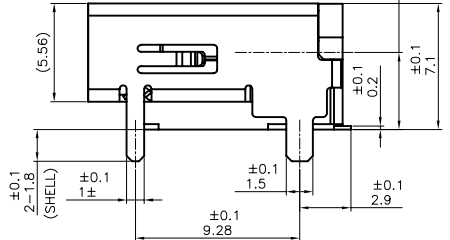
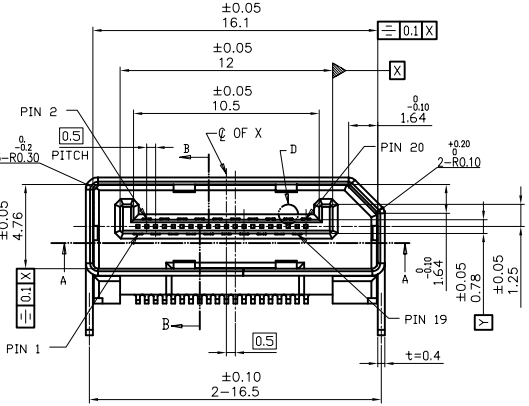


REV.	ECN. NO.	APPD.



RECOMMENDED P.C.B LAYOUT (THICKNESS=1.2mm)
 (COMPONENT SIDE) TOLERANCES ±0.05mm

- NOTES:
- MATERIAL:
 HOUSING: THERMOPLASTIC HIGH TEMP WITH 30% GF
 (PA10T R630NH / LCP E130I, E471I OR 6807LHF), UL94V-0.
 CONTACT: C2680R-EH T=0.20mm
 SHELL: C2680R-H T=0.40mm
 MYLAR: KAPTON TAPE T=0.06mm
 - PLATING:
 CONTACT: 10μ MIN. GOLD PLATING ON CONTACT AREA,
 MATTE TIN PLATING ON SOLDER TAILS
 50-90μ NICKEL UNDERPLATING OVERALL.
 SHELL: 50-90μ NICKEL PLATING OVERALL.
 - SOLDER TAIL COPLANARITY 0.10MAX.
 - PART NO. DESCRIPTION:
 CAR02 - 20 1 E N * *
 ① ② ③ ④ ⑤ ⑥ ⑦



INTENDED USE	Q'TY	HUNG TA H.T. ENTERPRISE CO., LTD	
PART NO. CAR02-201EN5Y	FINISH	FILE NO. C-CAR02-00-A0	TITLE: DISPLAY PORT RECEPTACLE
TOLERANCES .X ± 0.4 .X * ± 3° .XX ± 0.2 .XX * ±	MAT'L	APPD: Kevin 6/30/11 CHKD: Allon 6/30/11 DR: Allon 6/30/11	DWG NO.: C-CAR02-00-A0 SCALE: N/A
		REV. A0	SHEET 1 OF 1