

REV.	ECN. NO.	APPD.
A0		

NOTES:

1. MATERIAL:

- 1-1. HOUSING: THERMOPLASTIC, UL 94V-0, BLACK.
- 1-2. CONTACT: COPPER ALLOY. (T=0.25mm)
- 1-3. METAL (T=0.30mm)

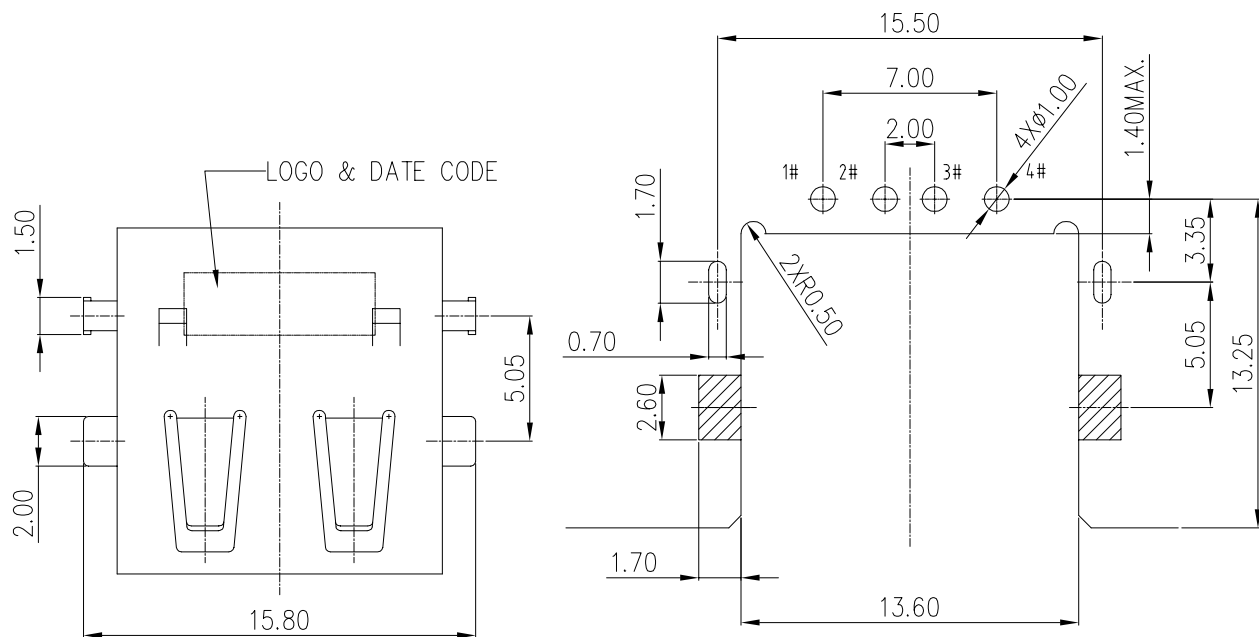
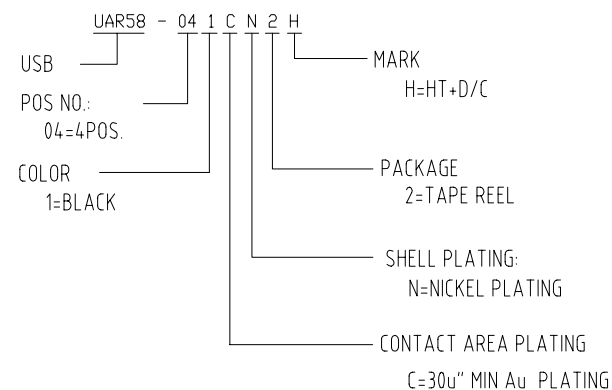
2. FINISH:

- 2-1. CONTACT: UNDER PLATED 50u" MIN NICKEL ALL AREA.
100u" MIN MATTE TIN IN SOLDER TAIL AREA.
30u" MIN GOLD PLATED AT CONTACT AREA.
- 2-2. SHELL: NICKEL 50u" MIN. PLATING OVERALL.

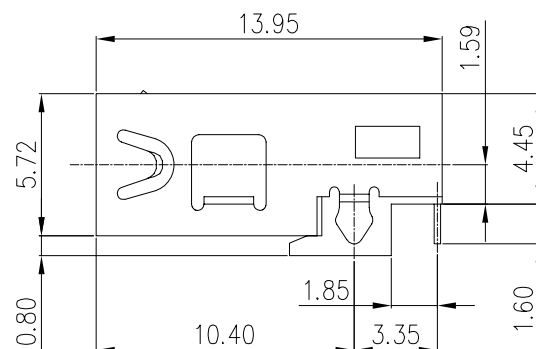
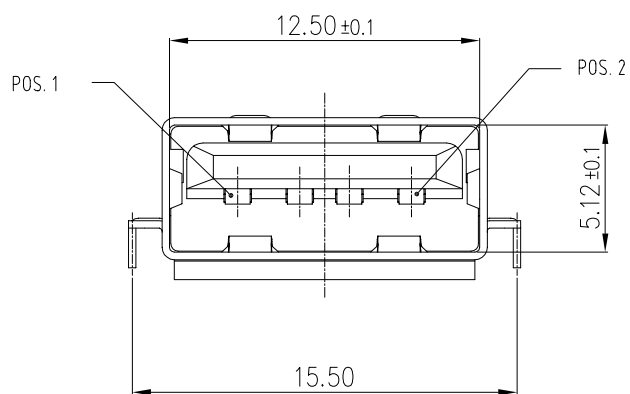
3. ENVIRONMENTAL CHARACTERISTICS:

- 3-1. OPERATION TEMPERATURE RANGE : -10°C TO +85°C.

4. PART NO. DESCRIPTION:



RECOMMEND P.C.B LAYOUT(TOLERANCE:±0.02)
(COMPONENT VIEW) THICKNESS 1.20mm



INTENDED USE	Q'TY	HUNG TA H.T.ENTERPRISE CO.,LTD	
PART NO. UAR58-041CN2H	FINISH	FILE NO. C-UAR58-00-A0	TITLE: USB A TYPE H=4.45mm
TOLERANCES X ± 0.35 X °± XX ± 0.25 XX °±	MAT'L	APPD: ALLON 20110923 CHKD: LONG 20110923 DR: LONG 20110923	DWG NO.: C-UAR58-00-A0 REV. A0
		SCALE: N/A	SHEET: 1 of 1