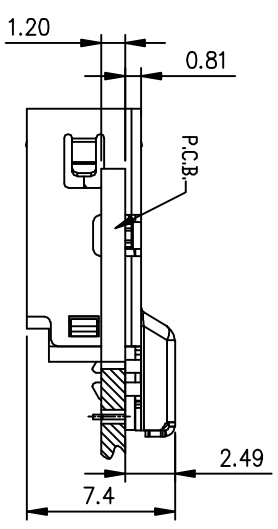
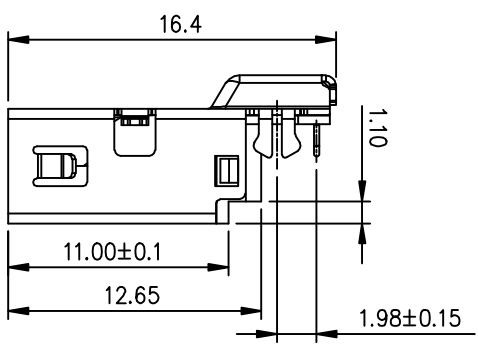
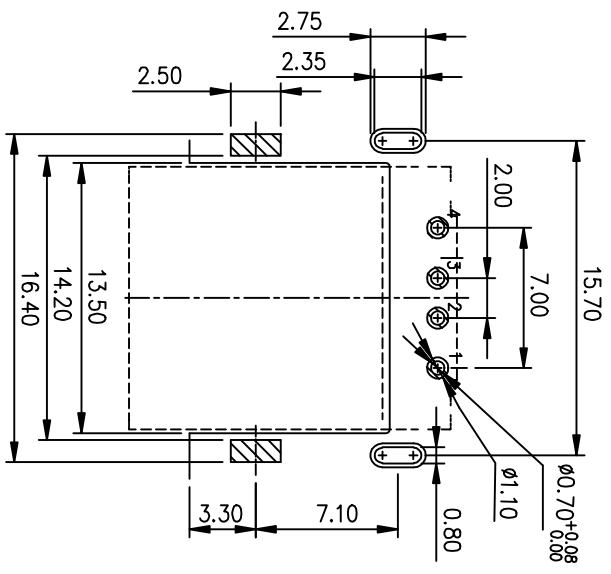


NOTES:  
 1. MATERIAL:  
 HOUSING: THERMOPLASTIC, UL 94 HB, BLACK  
 CONTACT: BRASS  
 SHELL: STAINLESS STEEL  
 2. FINISH:  
 CONTACT: GOLD PLATING ON CONTACT AREA.  
 MATTE TIN PLATING ON SOLDER TAILS  
 50µMINNICKEL UNDERPLATED OVERALL  
 SHELL: 40µMINNICKEL PLATING OVERALL.



3. PART NO. DESCRIPTION:  
 UAR57 - 04 \* \* N \* \*  
 ① ② ③ ④ ⑤  
 ① HOUSING COLOR ④ PACKAGE  
 ① BLACK ② TAPE REEL  
 ② CONTACT PLATED ③ TAPE REEL+MYLAR  
 AG/F+MATTE TIN ⑤ MARK  
 C30µ+MATTE TIN ⑥ MARK  
 ③ SHELL PLATING ⑦ MARK  
 NNICKEL H: HT+D/C



RECOMMENDED PCB LAYOUT (COMPONENT SIDE)  
 DEFAULT TOLERANCES: ±0.05/PCB THICKNESS 1.2mm

INTENDED USE	QTY	FINISH	FILE NO.	TITLE:
			C-UAR57-00-A0	USB 2.0 A/F OFFSET Q(-2.05)
PART NO.			APPD: Kevin	DWG NO.:
UAR57-04*****			29/05/12	C-UAR57-00-A0
TOLERANCES		MATL	CHKD: Allan	REV:
X ± 0.35 X ± 5'			29/05/12	A0
.XX ± 0.25 .XX ± 3'			DR: Fong	SCALE N/A
			29/05/12	SHEET 1 OF 1

REV.	ECN. NO.	APPD.

A B C D E