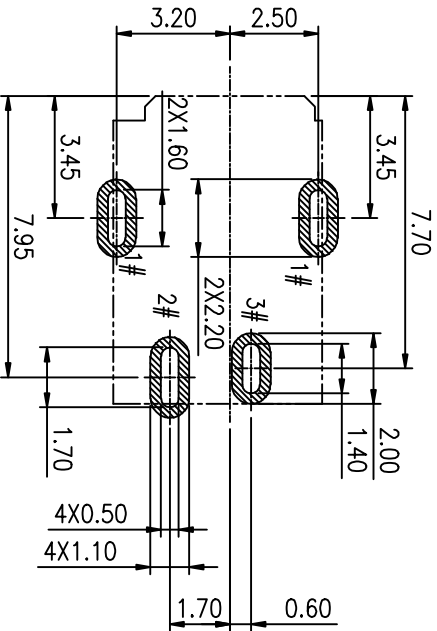
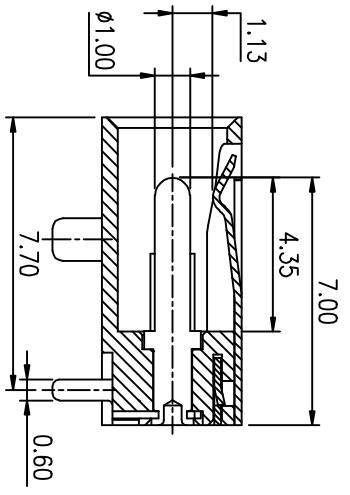
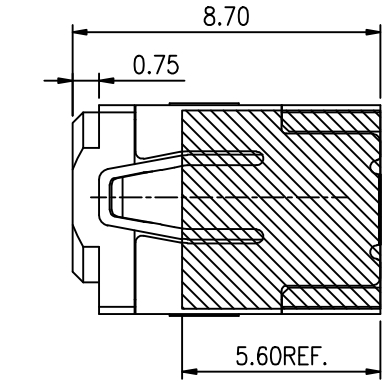
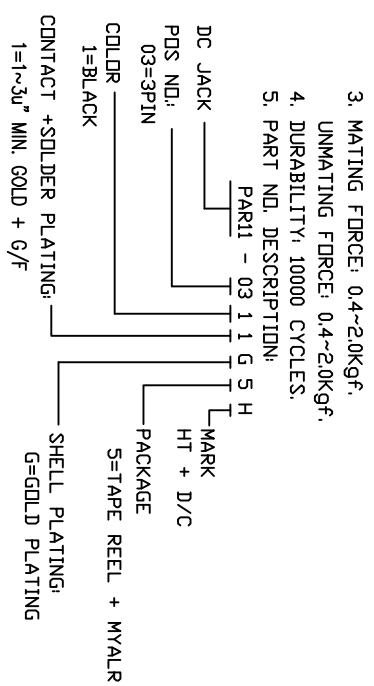
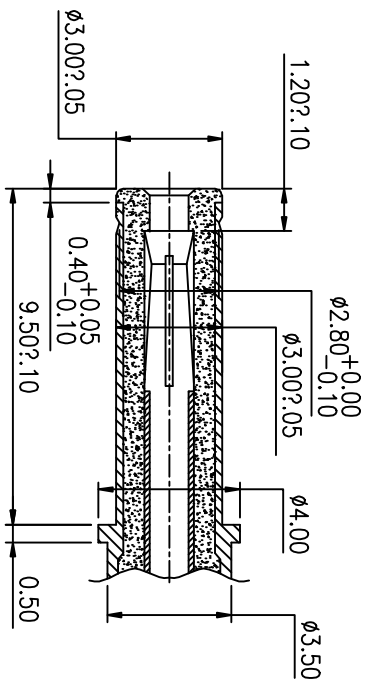
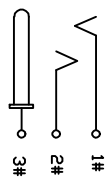
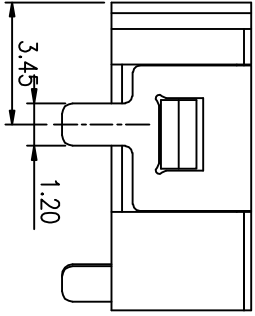
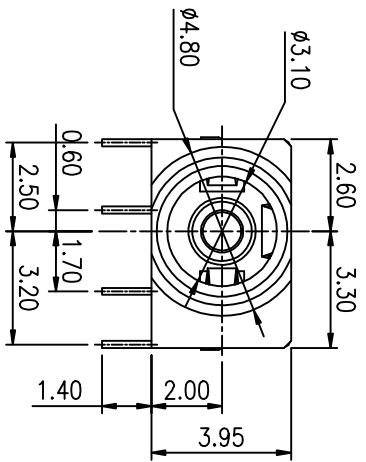


NOTES:

- INSULATION RESISTANCE: 100 MEGOHMS MIN WITH 500 VDC.
- RATING: 19V 3A
- MATING FORCE: 0.4~2.0KGf.
- DURABILITY: 10000 CYCLES.
- PART NO. DESCRIPTION: PARI1 - 03 1 1 G 5 H



RECOMMENDED P.C.B. LAYOUT(COMPONENT VIEW)  
TOLERANCE:±0.05



ELECTRICAL CIRCUIT

5	HOUSING	1	THERMOPLASTIC	BLACK			
4	SHELL	1	COPPER ALLOY	NICKEL UNDER PLATING OVER ALL.			
3	3# CONTACT	1	COPPER ALLOY	NICKEL UNDER PLATING OVER ALL. 100% TIN PLATING OVER NICKEL.			
2	2# CONTACT	1	COPPER ALLOY	NICKEL UNDER PLATING OVER ALL. GOLD PLATING OVER NICKEL(SSEE PART NO. DESCRIPTION).			
1	CENTER PIN	1	COPPER ALLOY	1-3U" GOLD PLATING OVER ALL.			

INTENDED USE	QTY	MATERIAL	TREATMENT	REMARK
CUSTOMER				

PART NO.	FILE NO.	TITLE
PARI1-0311G5H	C-PARI1-00-A0	DC POWER JACK

TOLERANCES	MATL.	APPD.	DWG. NO.	REV.
X ± 0.35 X ±			C-PARI1-00-A0	A0
XX ± 0.25 XX ±				

CHD: LONG 804062	SCALE: 1:1	SHEET: 1/1
DR: LONG 804062		

