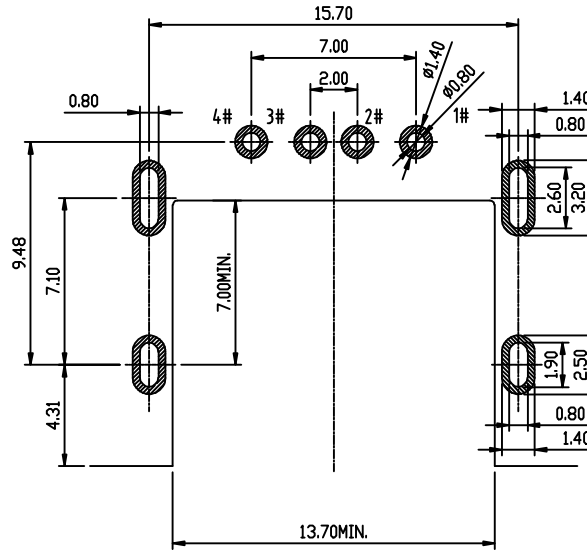
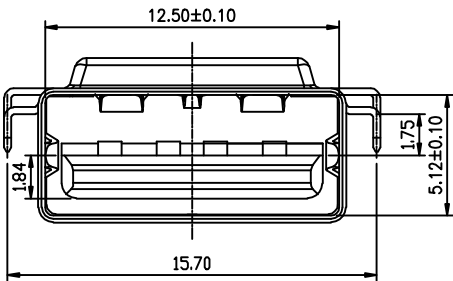
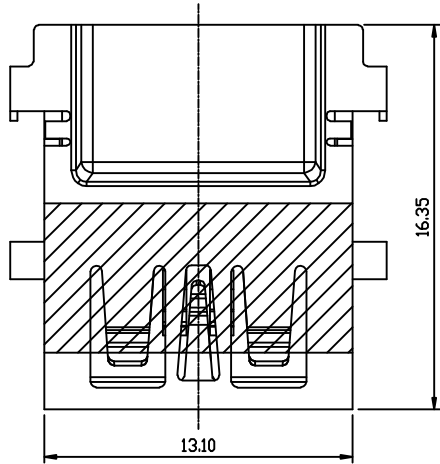
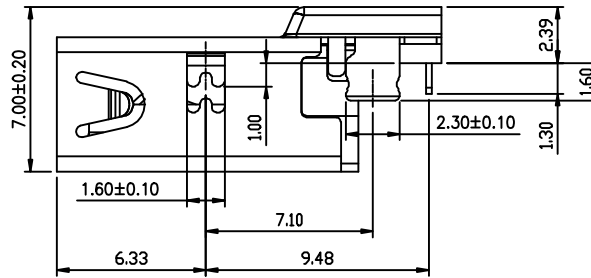


REV.	ECN. NO.	APPD.
A0		

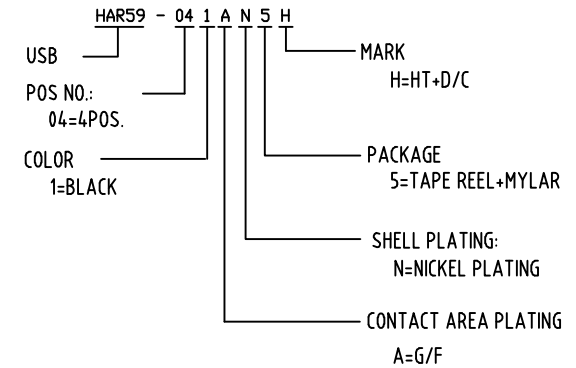


RECOMMEND P.C.B LAYOUT (TOLERANCE: ±0.03)  
 (COMPONENT VIEW) THICKNESS 1.20mm



NOTES:

- MATERIAL:
  - 1-1. HOUSING: THERMOPLASTIC, UL 94V-0, BLACK.
  - 1-2. CONTACT: COPPER ALLOY. (T=0.25mm)
  - 1-3. METAL (T=0.30mm)
- FINISH:
  - 2-1. CONTACT: UNDER PLATED 50u" MIN NICKEL ALL AREA. 100u" MIN MATTE TIN IN SOLDER TAIL AREA. GOLD PLATED AT CONTACT AREA.
  - 2-2. SHELL: NICKEL 50u" MIN. PLATING OVERALL.
- ENVIRONMENTAL CHARACTERISTICS:
  - 3-1. OPERATION TEMPERATURE RANGE : -10°C TO +85°C.
- PART NO. DESCRIPTION:



INTENDED USE	Q'TY				
	FINISH		FILE NO.	TITLE:	
PART NO. HAR59-041AN5H			C-HAR59-00-A0	USB A TYPE H=2.39mm	
TOLERANCES	MAT'L	APPD:	DWG NO.:	C-HAR59-00-A0	REV. A0
.X ± 0.35 .X * ±		CHKD: LONG 20140714			
.XX ± 0.25 .XX * ±		DR: LONG 20140714	SCALE: N/A	SHEET: 1 OF 1	