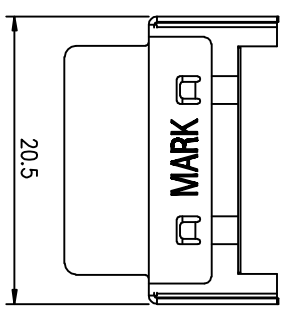


REV.	EQU. NO.	APPD.



MATERIAL:

- ⊙ HOUSING: THERMOPLASTIC, GLASS FIBER FILLED. UL 94V-0 RATED.
- ⊙ SPACER: THERMOPLASTIC, GLASS FIBER FILLED. UL 94V-0 RATED.
- ⊙ CONTACT: PHOSPHOR BRONZE (t=0.30mm).
- ⊙ FRONT SHIELD: SPCC (t=0.40mm).

FINISH:

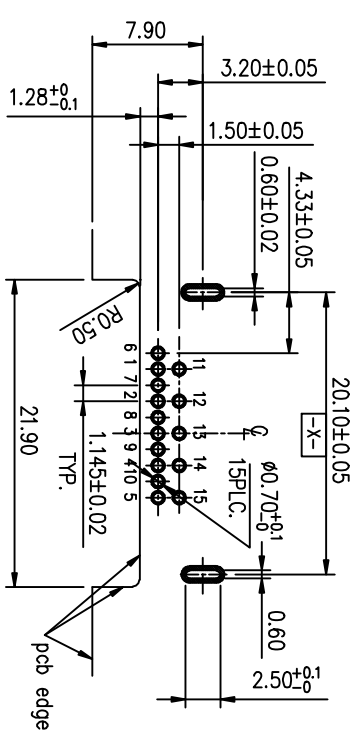
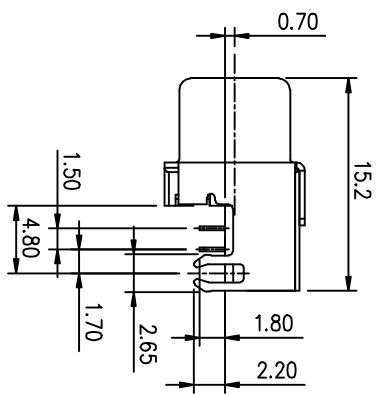
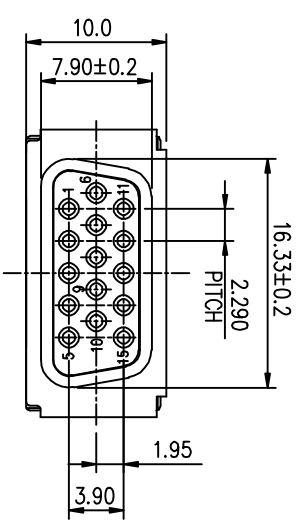
- CONTACT: UNDER PLATED 50u" MIN. NICKEL, ALL OVER 100u" MIN. TIN IN SOLDERING AREA. GOLD PLATED IN CONTACT AREA.
- FRONT SHIELD: NICKEL PLATED WITH 100u" MIN. THICK.

PART NO. DESCRIPTION:

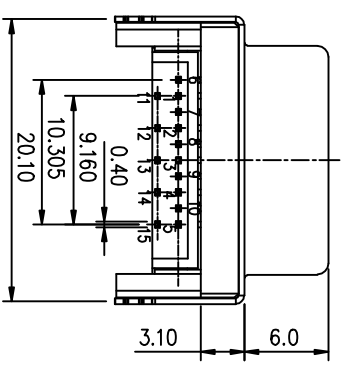
DOR07-15 * * N * *

- ① HOUSING COLOR
- ② CONTACT GOLD PLATED
- ③ SHELL PLATING
- ④ PACKAGE
- ⑤
- ⑥
- ⑦
- ⑧
- ⑨
- ⑩
- ⑪
- ⑫
- ⑬
- ⑭
- ⑮
- ⑯
- ⑰
- ⑱
- ⑲
- ⑳
- ㉑
- ㉒
- ㉓
- ㉔
- ㉕
- ㉖
- ㉗
- ㉘
- ㉙
- ㉚
- ㉛
- ㉜
- ㉝
- ㉞
- ㉟
- ㊱
- ㊲
- ㊳
- ㊴
- ㊵
- ㊶
- ㊷
- ㊸
- ㊹
- ㊺
- ㊻
- ㊼
- ㊽
- ㊾
- ㊿

1: BLACK
0: TRAY
0: NON MARK
5: +D/C
V: JUP+D/C
H: HT+D/C



RECOMMENDED PCB LAYOUT (COMPONENT SIDE)
TOLERANCE: ±0.05 PCB THICKNESS=1.2mm



INTENDED USE	QTY	FINISH	FILE NO.	TITLE
			C-DOR07-00-A0	D-Sub 3Row 15Pin CL=0.7mm
PART NO. DOR07-15**N**		MATL	APPD: Kevin 17/9/12	DWG NO: C-DOR07-00-A0
TOLERANCES X ± 0.35 .X ± .XX ±			CHKD: Alton 17/9/12	REV: A
.XX ± 0.25 .XX ±			DR: Feng 17/9/12	SCALE N/A
				SHEET 1 OF 1

