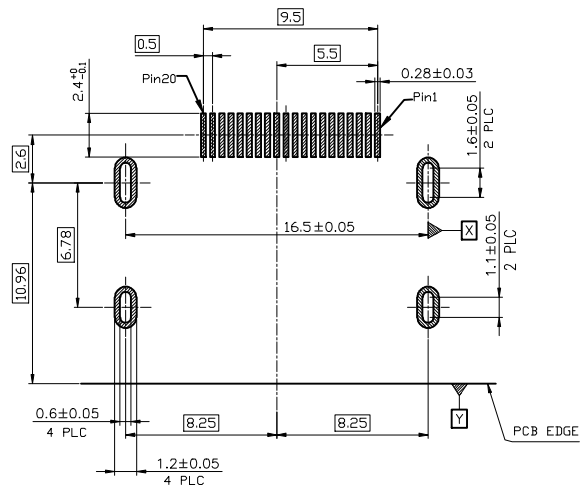
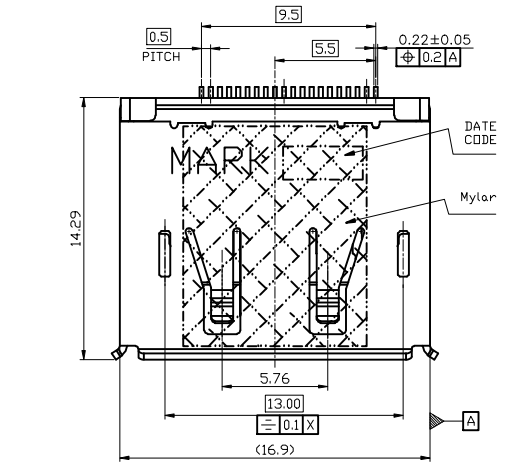
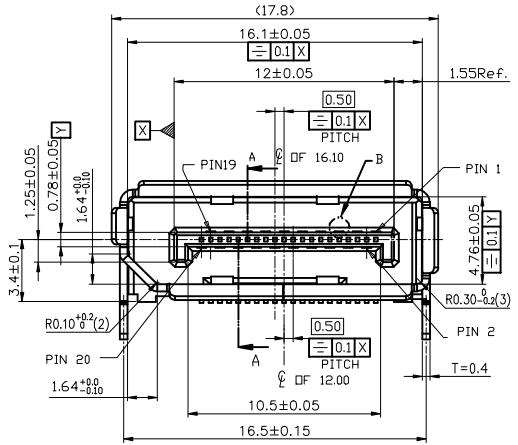


REV.	RCN. NO.	APPD.

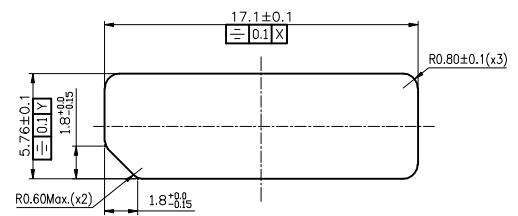
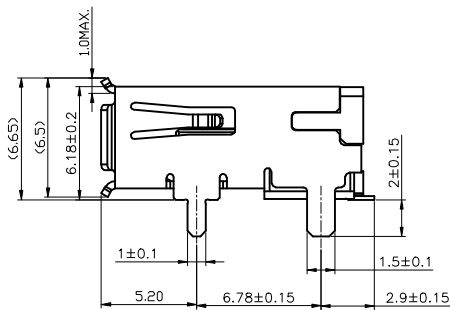
A
B
C
D
E



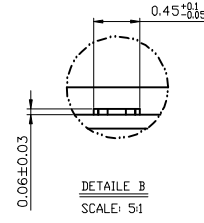
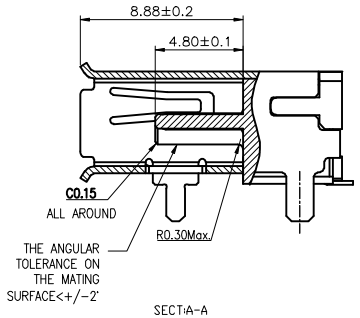
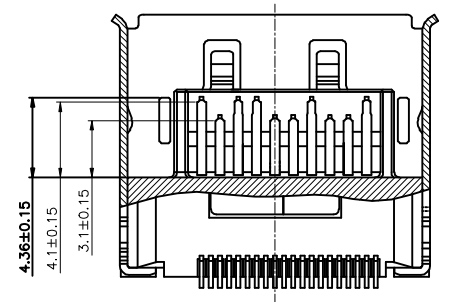
- NOTES:
- MATERIAL:
HOUSING: THERMOPLASTIC HIGH TEMP WITH 30% GF,UL94V-0.
CONTACT: COPPER ALLOY
SHELL: PHOSPHOR BRONZE
MYLAR: KAPTON TAPE
 - PLATING:
CONTACT: 30u" MIN. GOLD PLATING ON CONTACT AREA, GOLD FLASH PLATING OVER ALL
SHELL: 40u"MIN. NICKEL PLATING OVERALL.
 - SOLDER TAIL COPLANARITY 0.10MAX.
 - PART NO. DESCRIPTION:
CAR03 - 20 1 * N * *
① ② ③ ④ ⑤ ⑥ ⑦
- ① DISPLAY PORT
 - ② POS NO.: 20:20 POS.
 - ③ HOUSING COLOR 1:BLACK
 - ④ CONTACT PLATING
C: Au 30u"+MATTE TIN
A: Au G/F+MATTE TIN
G: Au 4"+MATTE TIN
 - ⑤ SHELL PLATING: N=NICKEL PLATING
 - ⑥ PACKAGE 2=TAPE REEL 5=TAPE REEL+MYLAR
 - ⑦ MARK H: HT+D/C Y: FOR JAE O: NO MARK



RECOMMENDED P.C.B LAYOUT (THICKNESS=1.2mm)
(COMPONENT SIDE) TOLERANCES ±0.05mm



REFERENCE PANEL CUT OUT DIMENSION



INTENDED USE	Q'TY	HT HUNG TA H.T. ENTERPRISE CO., LTD	
PART NO. CAR03-20*****	FINISH	FILE NO. C-CAR03-00-AO	TITLE: DISPLAY PORT RECEPTACLE
TOLERANCES .X ± 0.35 .X ± 3° .XX ± 0.25 .XX ±	MAT'L	APPD: Yang 8/29/13 CHKD: Allon 8/29/13 DR: Allon 8/29/13	DWG NO.: C-CAR03-00-AO REV. A
		SCALE: N/A	SHEET 1 OF 1