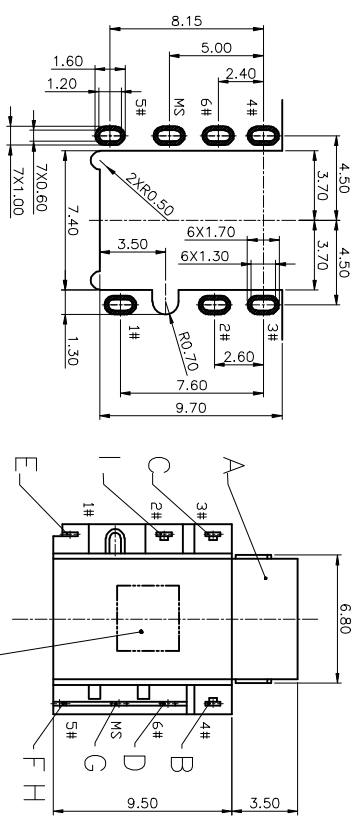
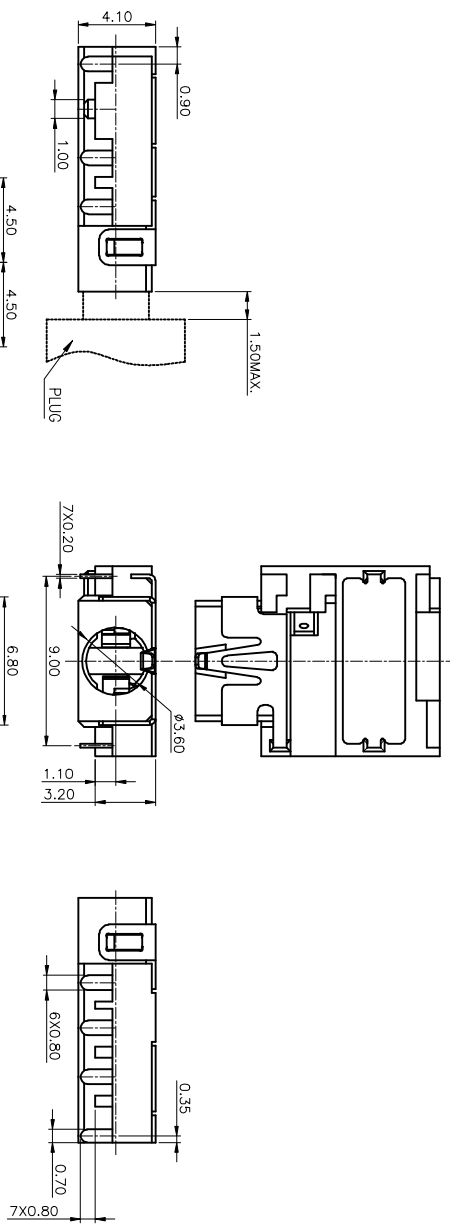


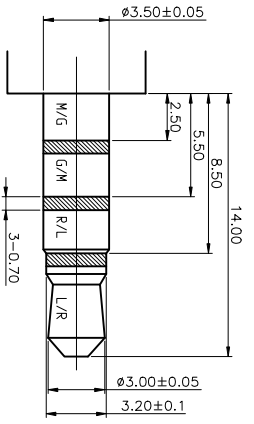
REV.	EDN. NO.	APPL.
------	----------	-------

- NOTES:
- ELECTRICAL CHARACTERISTICS:  
CONTACT RESISTANCE:  
50 MILLIohms MAX.(INITIAL)  
100 MILLIohms MAX.(AFTER TEST)  
MATING FORCE:30Kgf Max.  
UNMATING FORCE: 0.2Kgf Min.  
DURABILITY: 10,000 CYCLES.
  - PACKING: TAPE REEL.
  - SOLDER HEAT RESISTANCE REFLOW SOLDERING 260° 10 SECS.
  - PART NO. DESCRIPTION:

- AAR29-06 Z 1 N 2 5
- HOUSING COLOR  
Z:BLUE 285C
  - CONTACT GOLD PLATED  
1G/F DN CONTACT AREA
  - PACKAGE  
2 TAPE REEL
  - MARK  
SMD MARK + D/C

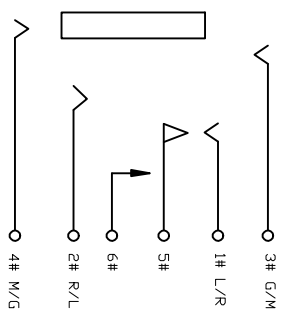


MARK & D/C



RECOMMEND PLUG  
Ø3.5 4-POLE STANDARD PLUG

SCHEMATIC



ITEM	DESCRIPTION	QTY	MATERIAL	TREATMENT	REMARK
I	2# CONTACT	1	STAINLESS STEEL		T-02
H	SEPARATOR	1	THERMOPLASTIC		
G	SHELL	1	STAINLESS STEEL	NICKEL UNDER PLATING OVER ALL.	T-02
F	5# CONTACT	1	PHOSPHOR BRONZE	GOLD FLASH DN CONTACT AREA. MATE TIN DN SOLDER AREA.	T-02
E	1# CONTACT	1	STAINLESS STEEL	ALL OVER 50U" NICKEL	T-02
D	6# CONTACT	1	PHOSPHOR BRONZE	GOLD FLASH DN CONTACT AREA. GOLD FLASH DN SOLDER AREA. ALL OVER 50U" NICKEL	T-02
C	3# CONTACT	1	PHOSPHOR BRONZE	GOLD FLASH DN CONTACT AREA. MATE TIN DN SOLDER AREA.	T-02
B	4# CONTACT	1	PHOSPHOR BRONZE	ALL OVER 50U" NICKEL	T-02
A	HOUSING	1	THERMOPLASTIC	PANTONE 285C	

THIS PRINT IS  
UNQUALIFIED PRODUCT  
DESIGN IS SUBJECT TO  
CHANGE WITHOUT NOTICE  
**PRELIMINARY**

PART NO.	AAR29-06Z1N25
TOLERANCES	X.±0.5 .XX±0.25 .XXX±0.15 ANGLES ±2°
INTENDED USE	
FINISH	
FILE NO.	C-AAR29-00-A0
TITLE	AUDIO JACK 4POLE
DWG NO.	C-AAR29-00-A0
CHKD:	LONG 20140515
APPD:	
SCALE	
REV.	XO
SHEET	1 OF 1

HTT HUNG TA ENTERPRISE CO., LTD.