

REV.	ECN. NO.	APPD.
A	DWG REL.	
A1	T-ECR-06206	
B	K-EC07021	LONG
B1	T-EC07109	TDM 2007.09.04
B2	K-EC08025	Hakla 4/24/08
B3	K-EC10036	XufengJin 8/10/10

MATERIAL:

- Ⓞ HOUSING: THERMOPLASTIC, GLASS FIBER FILLED.
UL 94V-0 RATED.
- Ⓞ CONTACT: PHOSPHOR BRONZE (t=0.25mm).
- Ⓞ FRONT SHIELD: BRASS (t=0.30mm).

FINISH:

CONTACT: GOLD PLATING ON CONTACT AREA(SEE PART NO. DESCRIPTION)
100u" MIN. TIN PLATING ON SOLDER AREA,
50u" MIN. NICKEL UNDERPLATING OVER ALL.

SHIELD: L: BRIGHT TIN, PLATED WITH 120u" THICK.
OVER 50u" THICKNESS NICKEL.

S: TIN, PLATED WITH 120u" THICK.
OVER 50u" THICKNESS Cu.

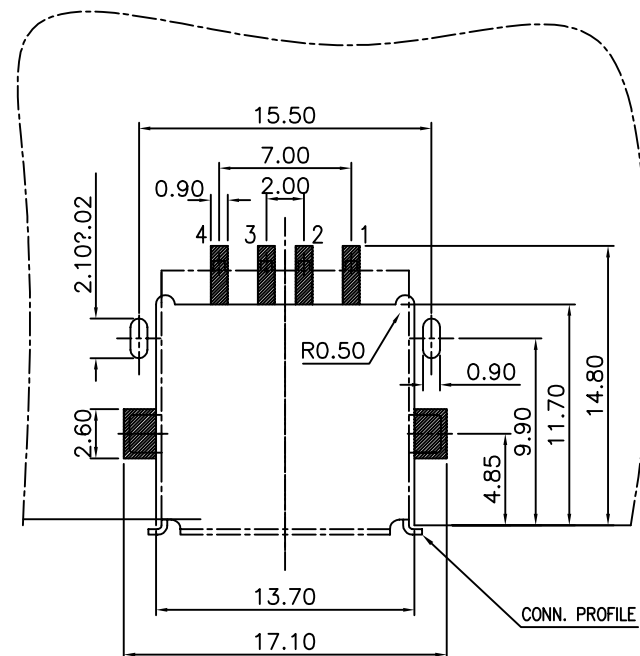
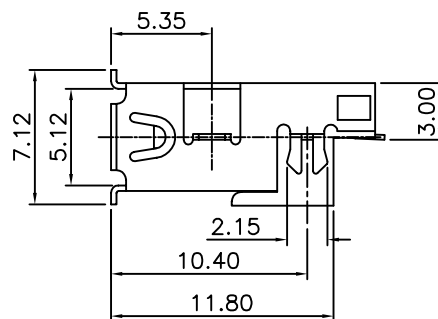
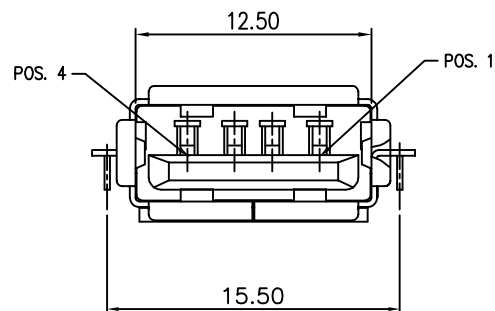
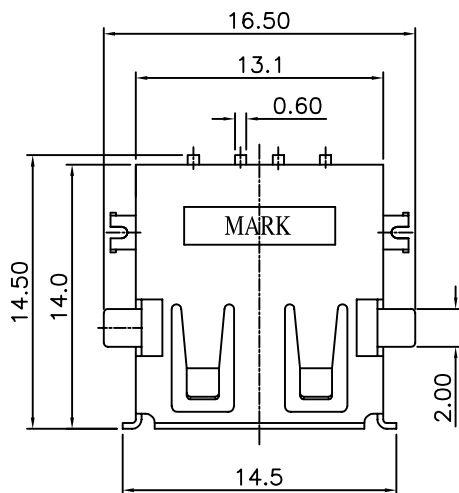
N: 50u" MIN. NICKEL PLATING OVER ALL

U: Sn/Cu, PLATED WITH 120u" THICK.
OVER 50u" THICKNESS Cu.

PRODUCT NO. DESCRIPTION:

BX X V 04 X - X X - X X

- SHELL PLATED
 - L: TIN OVER NICKEL.
 - S: TIN OVER Cu.
 - N: NICKEL
 - U: Sn/Cu
- GOLD PLATED
 - 1= G/F
 - 3= 30u"
 - 5= 15u"
- MARK
 - PACKAGE
 - 0: TRAY
 - 2: TAPE REEL
 - COLOR
 - 0: WHITE
 - 1: BLACK
 - MATERIAL
 - F: PBT(L/F)
 - G: PA46(L/F)
 - L: PA9T(L/F)



RECOMMENDED P.C.B LAYOUT(TOP VIEW)

P.C.B. THICKNESS 1.2mm
P.C.B. TOLERANCE ±0.05

INTENDED USE	Q'TY		
CUSTOMER	FINISH	FILE NO.	TITLE: USB TYPE A SMT
PART NO.		25-224A	REV H=3.00mm
BXNV04X-XX-XX		APPD: JIAWEN 10/10/05	DWG NO.: 25-0000-224
TOLERANCES	MAT'L	CHKD: JIANMING 10/10/05	REV. B3
.X ± 0.35 .X ±		DR: PINGXU 10/10/05	SCALE: 1:1
.XX ± 0.25 .XX ±			SHEET: 1/1