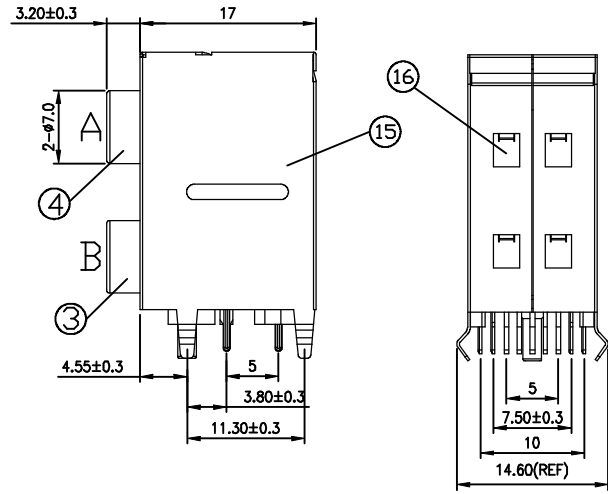
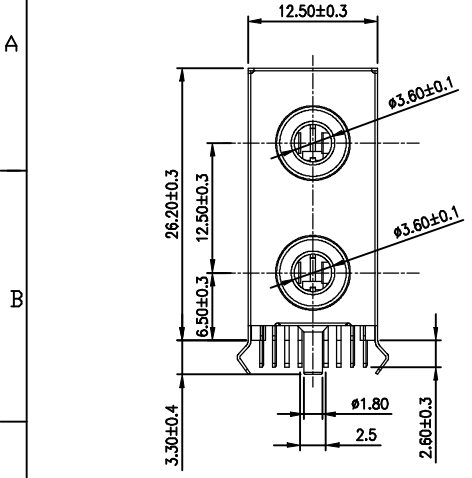


REV.	ECN. NO.	APPD.
A	DWG. REL.	

* RoHS COMPLIANT *

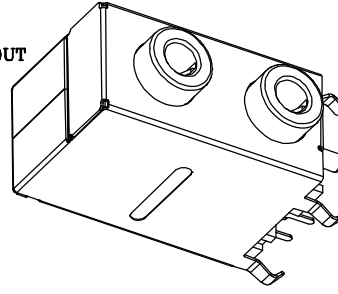
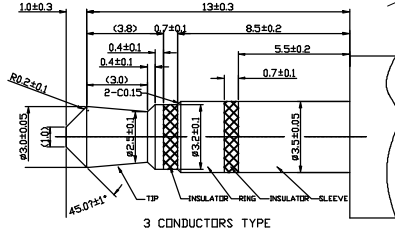
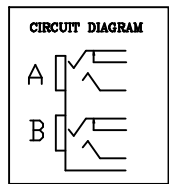
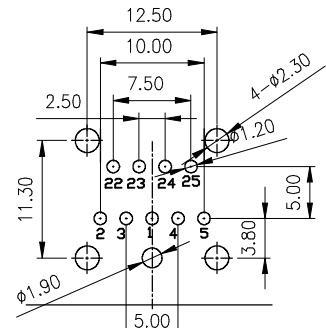
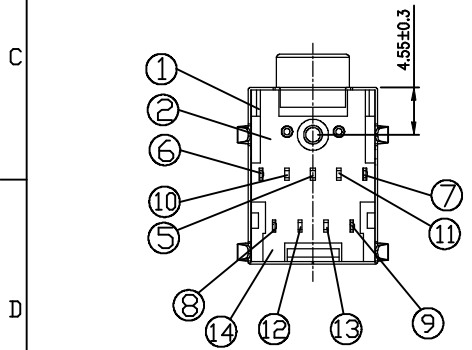


SPECIFICATIONS:

- 1. MECHANICAL
 - a. INSERTION FORCE: 0.4Kgs TO 3.0 Kgs
 - b. EXTRACTION FORCE: 0.3Kgs TO 3.0 Kgs
 - c. ENDURANCE: 5000 CYCLES
- 2. ELECTRICAL
 - a. DIELECTRIC WITHSTANDING VOLTAGE: 500V AC 1 MINUTE.
 - b. INSULATION RESISTANCE: 100M
 - c. CONTACT RESISTANCE: 30 m
- 3. OPERATING TEMPERATURE: -25 TO +85 °C.

AAR42-093 * N * *
① ② ③

- ① CONTACT GOLD PLATED
7: TIN.
- ② PACKAGE ③ MARK
0: TRAY 0: NO MARK



16	BACK SHELL	1	SPOC T=0.2mm	NI PLATING OVERALL
15	SHELL	1	SPOC T=0.25mm	NI PLATING OVERALL
14	BACK COVER	1	PBT (BLACK)	
13	TER'-24	1	BRASS T=0.40mm	NICKEL UNDERPLATING, TIN PLATING OVERALL
12	TER'-23	1	BRASS T=0.40mm	NICKEL UNDERPLATING, TIN PLATING OVERALL
11	TER'-4	1	BRASS T=0.40mm	NICKEL UNDERPLATING, TIN PLATING OVERALL
10	TER'-3	1	BRASS T=0.40mm	NICKEL UNDERPLATING, TIN PLATING OVERALL
9	TER'-25	1	PHOSPHOR BRONZE T=0.25mm	NICKEL UNDERPLATING, TIN PLATING OVERALL
8	TER'-22	1	PHOSPHOR BRONZE T=0.25mm	NICKEL UNDERPLATING, TIN PLATING OVERALL
7	TER'-5	1	PHOSPHOR BRONZE T=0.25mm	NICKEL UNDERPLATING, TIN PLATING OVERALL
6	TER'-2	1	PHOSPHOR BRONZE T=0.25mm	NICKEL UNDERPLATING, TIN PLATING OVERALL
5	TER'-1	1	BRASS T=0.5mm	NICKEL UNDERPLATING, TIN OVER PLATING, GOLD 1μ" AT CONTACT AREA FOR CONTACT.
4	BASE-A	1	PBT (GREEN)	
3	BASE-B	1	PBT (PINK)	
2	COVER	1	PAST (BLACK)	
1	Housing	1	PBT (BLACK)	

INTENDED USE	QTY	HUNG TA H.T. ENTERPRISE CO., LTD	
PART NO. AAR42-093N**	FINISH	FILE NO. C-AAR42-00-A0	TITLE: 双层JACK ∅3.5
TOLERANCES .X ± 0.35 .X *± .XX ± 0.25 .XX *±	MAT'L	APPD: HONDA 20161231 CHKD: LONG 20161231 DR: LONG 20161231	DWG NO.: C-AAR42-00-A0 SCALE 1:1 REV. A

A
B
C
D
E