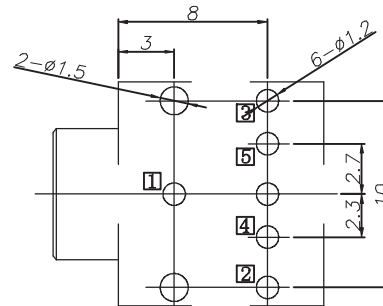
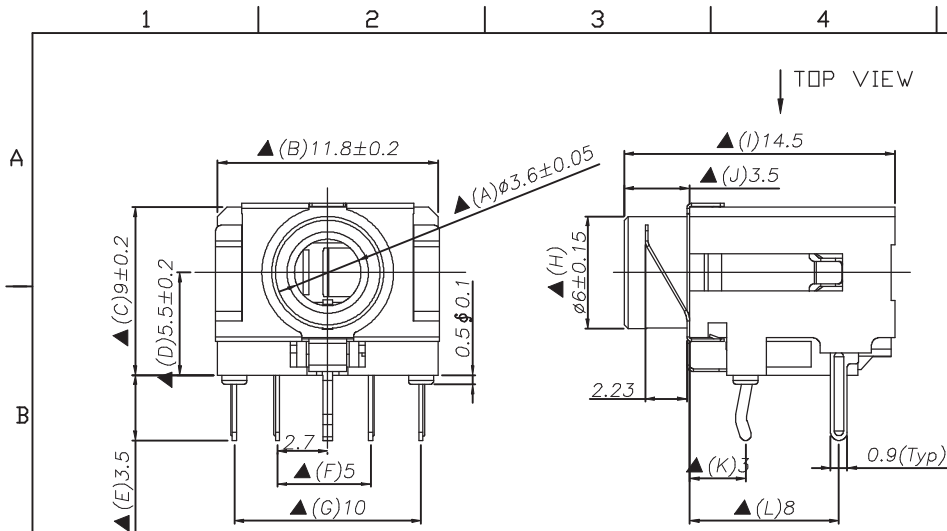
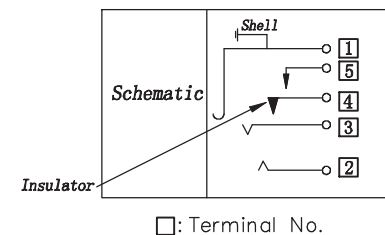


REV.	ECN. NO.	APPD.
A	DWG. REL.	



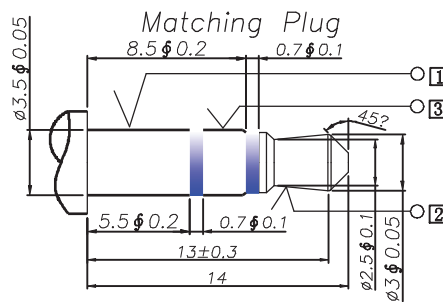
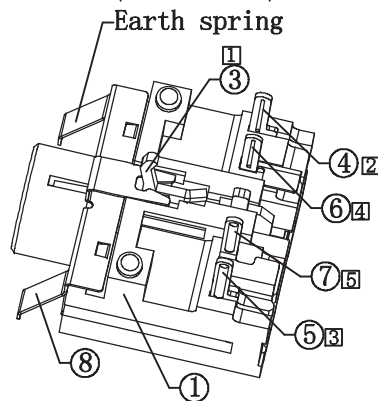
- AAR40-05 * * A * *
- | | |
|--|---------------------------|
| ① HOUSING COLOR
1: BLACK
A: PINK(701C)
X: GREEN(359C) | ③ PACKAGE
2: TAPE REEL |
| ② CONTACT GOLD PLATED
9: Ag | ④ MARK
0: NO MARK |

RECOMMENDED P. C. B. LAYOUT
UNSPECIFIED TOLERANCE: ±0.05
(TOP VIEW)



Specification:

- Rating : DC 30V 0.5A;
- Contact resistance: ≤50mΩ;
After test: ≤100mΩ
- Insulation resistance: ≥100MΩ (500VDC);
After test: ≥50MΩ
- Withstand voltage: 500VAC ;
- Insertion and extraction force: 3N~30N;
- life test: 5000cycles min;
- Operation temperature range: -20℃~70℃;
- Preservation temperature range: -40℃~85℃;
- Sign "▲" is importance dimension;



NO.	DESCRIPTION	QTY	MATERIAL	PART NO.	REMARK
⑧	Earth spring	1	Stainless steel 0.15t		Silver plating
⑦	Make terminal	⑤	Beryllium bronze 0.25t		Silver plating
⑥	Transfer terminal	④	Stainless steel 0.2t		Silver plating
⑤	Ring spring	③	Stainless steel 0.25t		Silver plating
④	Tip spring	②	Phosphor bronze 0.25t		Silver plating
③	Earth terminal	①	Phosphor bronze 0.5t		Silver plating
②	Insulator	1	PA66,UL 94HB		
①	Housing	1	PBT,UL 94V-0		

INTENDED USE	Q'TY	FINISH	HUNG TA H.T.ENTERPRISE CO.,LTD	
PART NO. AAR40-05*9A**		FILE NO. C-AAR40-00-A0	TITLE: φ3.5 PHONE JACK	
TOLERANCES .X ± 0.35 .X ± .XX ± 0.25 .XX ±	MAT'L	APPD: HONDA 20161228 CHKD: LONG 20161228 DR: LONG 20161228	DWG NO.: C-AAR40-00-A0	REV. A
SCALE 1:1			SHEET 1	OF 1