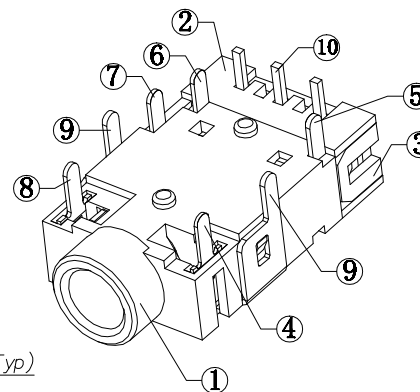
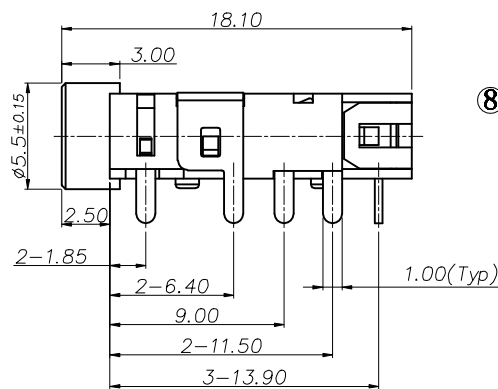
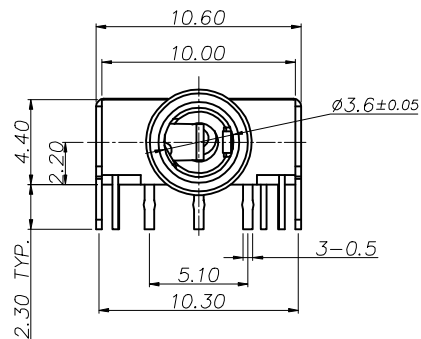
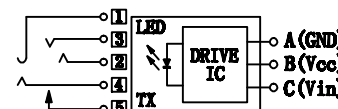
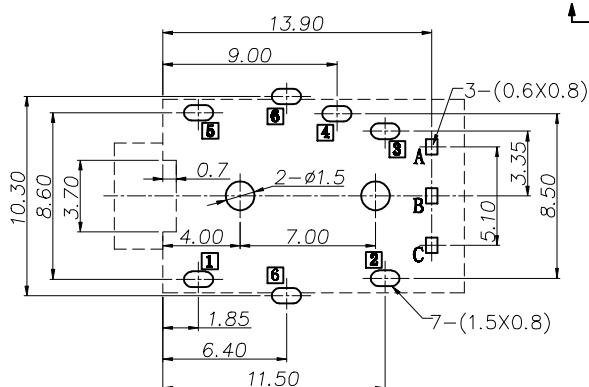
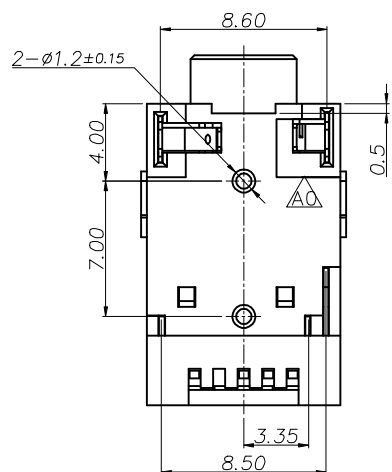


REV.	ECN. NO.	APPD.
A	DWG. REL.	



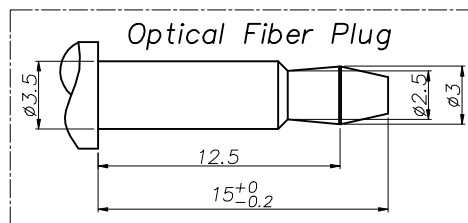
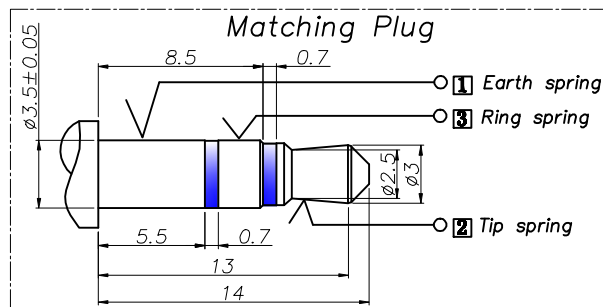
- Specification:**
- Rating : DC 30V 0.5A.
 - Contact resistance: $\leq 30m\Omega$.
After test: $\leq 50m\Omega$
 - Insulation resistance: $\geq 100M\Omega$ (500VDC).
After test: $\geq 50M\Omega$
 - Withstanding voltage: 500VAC.
 - Insertion and extraction force: 3N~30N.
 - life test: 5000cycles min.
 - Operation temperature range: $-20^{\circ}C \sim 70^{\circ}C$.
 - Preservation temperature range: $-40^{\circ}C \sim 85^{\circ}C$.
 - Sign"▲" is importance dimension.



AAR33-05 1 W N * *
① ② ③ ④ ⑤

- | | |
|--------------------------------|---------------------|
| ① HOUSING COLOR
1:BLACK | ④ PACKAGE
0:TRAY |
| ② CONTACT GOLD PLATED
W:G/F | ⑤ MARK
0:NO MARK |
| ③ SHELL PLATING
N:Ni | |

RECOMMENDED P.C.B. LAYOUT
UNSPECIFIED TOLERANCE: ± 0.05
(TOP VIEW)



NO.	DESCRIPTION	QTY	MATERIAL	REMARK
⑩	Fiber	1	0.4t	
⑨	Shell	⑥	Brass 0.3t	Nickel plating
⑧	Make terminal	⑤	Phosphor bronze 0.2t	Gold flash
⑦	Transfer terminal	④	Phosphor bronze 0.25t	Gold flash
⑥	Ring spring	③	Phosphor bronze 0.25t	Gold flash
⑤	Tip spring	②	Phosphor bronze 0.3t	Gold flash
④	Earth spring	①	Phosphor bronze 0.2t	Gold flash
③	Cover	1	PA9T,UL 94V-0	Black
②	Housing(B)	1	PA9T,UL 94V-0	Black
①	Housing(A)	1	PA9T,UL 94V-0	SEE NOTES

INTENDED USE	Q'TY	HUNG TA H.T.ENTERPRISE CO.,LTD
	FINISH	
PART NO. AAR33-051WN**	FILE NO. C-AAR33-00-A0	TITLE: 3.5mm AUDIO JACK+SPDIF
TOLERANCES .x ± 0.40 .x ± .xx ± 0.30 .xx ±	MAT'L	APPD: HONDA 20151215 CHKD: LONG 20151215 DR: LONG 20151215
		DWG NO.: C-AAR33-00-A0 SCALE 1:1 SHEET 1 OF 1