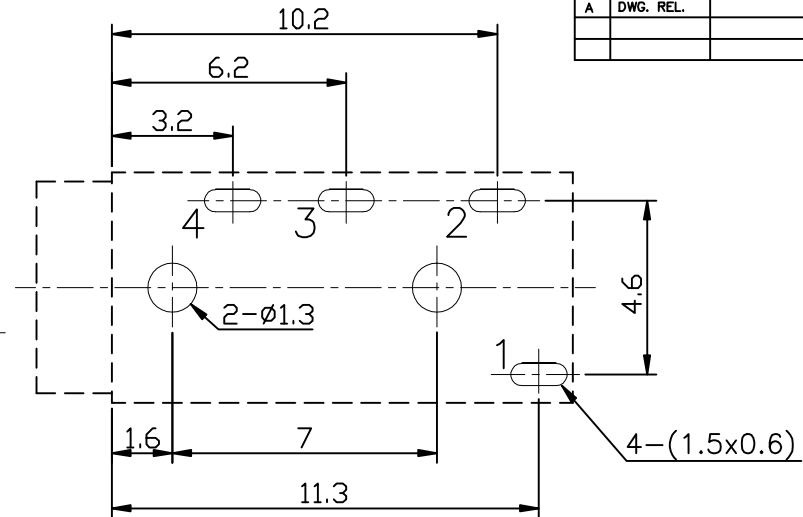
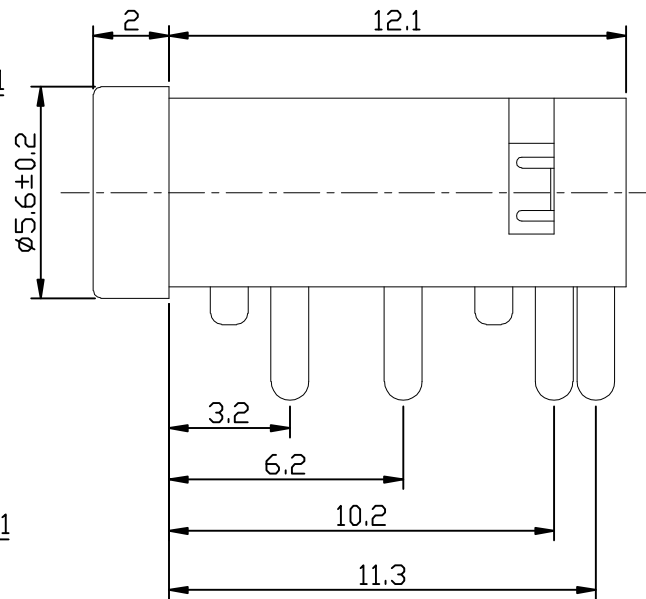
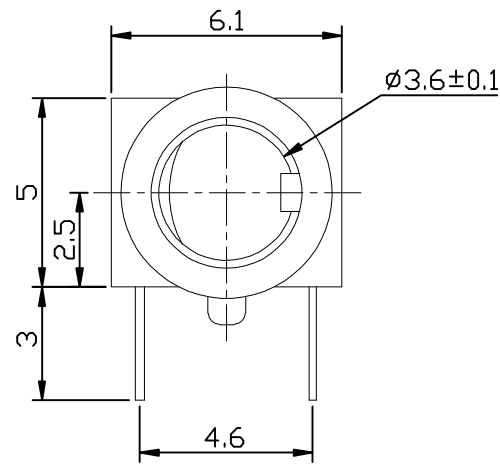
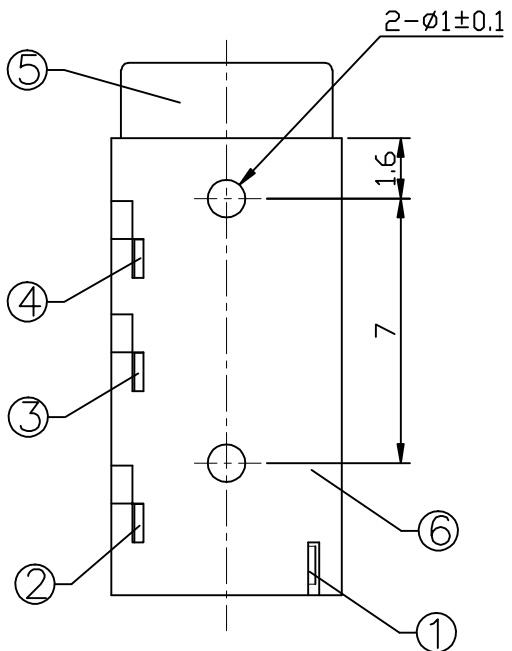


* RoHS COMPLIANT *

REV.	ECN. NO.	APPD.
A	DWG. REL.	

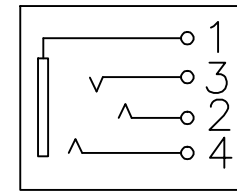


T:1.6 Dimensions of PC board holes
Tolerance : ±0.1(Printed-top view)



AAR31-04 1 9 N * *
① ② ③ ④ ⑤

- ① HOUSING COLOR
1:BLACK
- ② CONTACT GOLD PLATED
9:Ag
- ③ SHELL PLATING
N:Ni
- ④ PACKAGE
3:BAG
- ⑤ MARK
0:NO MARK



6	HOUSING	1	PBT 4815	UL-94V0(BLACK)
5	BUSHING	1	H59(COPPER ALLOY)	Ni PLATED
4	RING SPRING	1	C5191 t=0.25	Ag PLATED
3	RING SPRING	1	C5191 t=0.25	Ag PLATED
2	TIP SPRING	1	C5191 t=0.25	Ag PLATED
1	EARTH SPRING	1	SUS301 t=0.20	Ag PLATED

LTR	PART NAME	QTY	MATERIAL	REMARK
INTENDED USE		Q'TY	FINISH	
PART NO. AAR31-0419N**		FILE NO. C-AAR31-00-A0	TITLE: MINIATURE JACK	
TOLERANCES .x ± 0.40 .x ± .xx± 0.30 .xx±		MAT'L	APPD: HONDA 20151005 CHKD: LONG 20151005 DR: LONG 20151005	DWG NO.: C-AAR31-00-A0 SCALE 1:1 SHEET 1 OF 1

