

REV.	ECN. NO.	APPD.
A0	DWG. REL.	

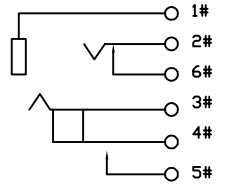
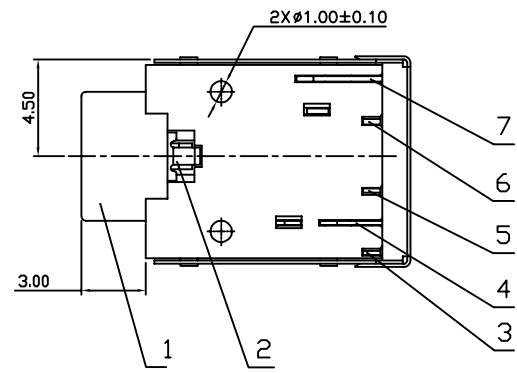
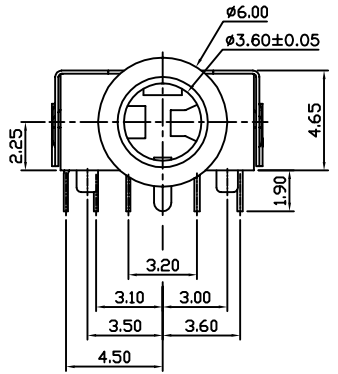
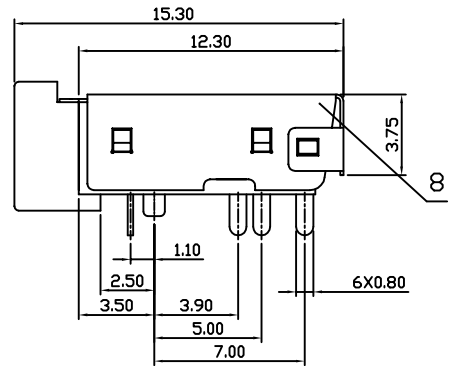
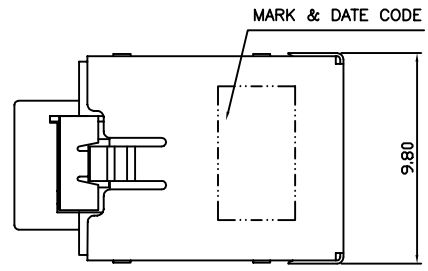
NOTES:

1. ELECTRICAL CHARACTERISTICS:
 - 1-1. CURRENT RATING: 0.5A
VOLTAGE RATING: 12V DC
 - 1-2. CONTACT RESISTANCE: 50 MILLIOHMS MAX. INITIAL,
60 MILLIOHMS MAX. AFTER TEST.
 - 1-3. INSULATION RESISTANCE: 100 MEGAOHMS MIN WITH 500 VDC.
 - 1-4. DIELECTRIC WITHSTAND VOLTAGE: 500V RMS. AT SEA LEVEL.
2. MECHANICAL CHARACTERISTICS:
 - 2-1. MATING FORCE: 0.4~3.0Kgf.
 - 2-2. UNMATING FORCE: 0.4~3.0Kgf.
 - 2-3. DURABILITY: 5000 CYCLES.
3. ENVIRONMENTAL CHARACTERISTICS:
 - 3-1. OPERATION TEMPERATURE RANGE : -10°C TO +85°C.

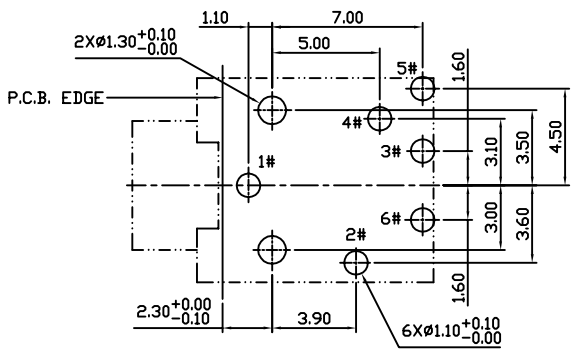
PART NO. DESCRIPTION:

AAR25 - 06 * 1 N * 5
 AUDIO JACK
 POS NO: 06=6POS.
 COLOR
 A=PINK(701C)
 B=LIGHT BLUE(284C)
 C=LIGHT GREEN(577C)
 S=RED(703C)
 T=DARK GREEN(3415C)
 1=BLACK

MARK
 PACKAGE
 2=TAPE REEL
 6=TAPE REEL(REVERSE PACKING)
 SHELL PLATING:
 N=NICKEL PLATING
 CONTACT PLATING:
 1=GOLD FLASH



SCHMATIC



RECOMMENDED P.C.B. LAYOUT(TOP VIEW)
TOLERANCE:±0.05

ITEM	DESCRIPTION	Q'TY	MATERIAL	TREATMENT	REMARK
8	SHELL	1	COPPER ALLOY	NICKEL PLATING	
7	2# CONTACT	1	COPPER ALLOY	NICKEL UNDER PLATING OVER ALL. GOLD FLASH PLATING OVER NICKEL.	
6	6# CONTACT	1	COPPER ALLOY	NICKEL UNDER PLATING OVER ALL. GOLD FLASH PLATING OVER NICKEL.	
5	3# CONTACT	1	COPPER ALLOY	NICKEL UNDER PLATING OVER ALL. MATTE TIN PLATING ON SOLDER TAIL. CONTACT AREA PLATING SEE PART. NO. DESCRIPTION.	
4	4# CONTACT	1	COPPER ALLOY	NICKEL UNDER PLATING OVER ALL. MATTE TIN PLATING ON SOLDER TAIL. CONTACT AREA PLATING SEE PART. NO. DESCRIPTION.	
3	5# CONTACT	1	COPPER ALLOY	NICKEL UNDER PLATING OVER ALL. MATTE TIN PLATING ON SOLDER TAIL. CONTACT AREA PLATING SEE PART. NO. DESCRIPTION.	
2	1# CONTACT	1	COPPER ALLOY	NICKEL UNDER PLATING OVER ALL. Au PLATING OVER NICKEL.	
1	HOUSING	1	THERMOPLASTIC	PC99	

ITEM	DESCRIPTION	Q'TY	MATERIAL	TREATMENT	REMARK
INTENDED USE		FINISH			
CUSTOMER		HUNG TA H.T.ENTERPRISE CO.,LTD			
PART NO.		FILE NO.		TITLE:	
AAR25-06*1N**		C-AAR25-00-A0		AUDIO JACK	
TOLERANCES		APPD: KEVIN 20111220		DWG NO.: C-AAR25-00-A0	
.X ± 0.38 .X ±		CHKD: ALLDN 20111220		REV. A0	
.XX ± 0.25 .XX ±		DR: LONG 20111220		SCALE 1:1 SHEET 1/1	