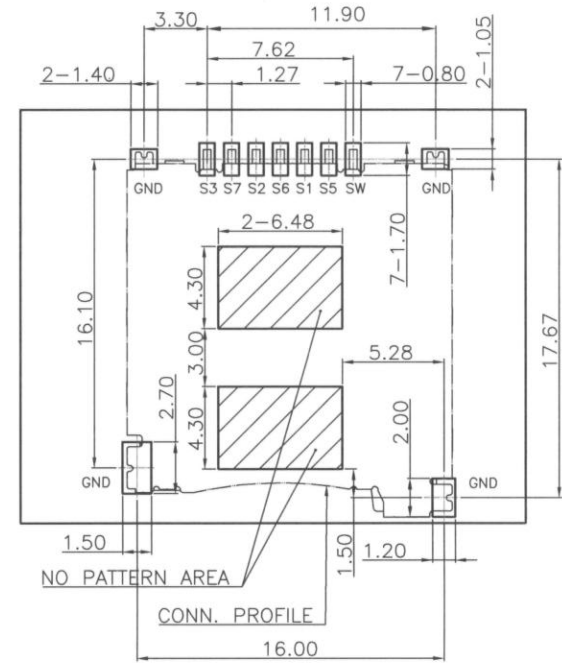
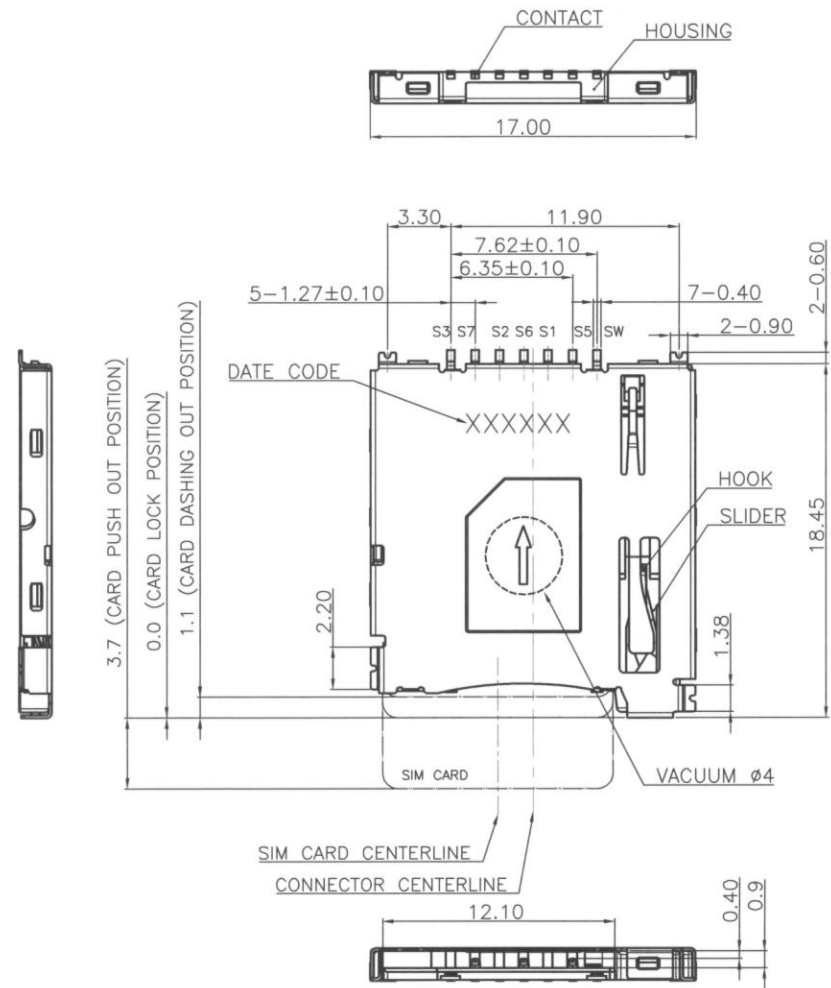
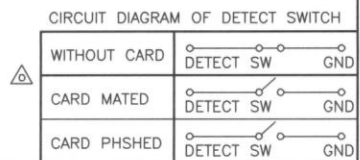


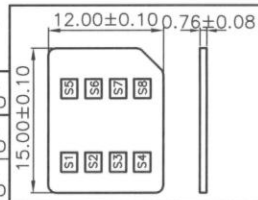
REV.	MARK	ECN NO.	MODIFY DES.	DR.	DATE
A			NEW RELEASE	Ivy Hsu	10/11/2013
1.0	△		REVISE DIM.	Ivy Hsu	10/17/2013
1.1	△		ADD CARD INSERT	Ivy Hsu	10/28/2013



- NOTES:
- HOUSING & SLIDER: HIGH TEMPERATURE THERMOPLASTIC UL94V-0, COLOR IN BLACK
CONTACT: COPPER ALLOY, GOLD PLATING ON CONTACT AREA
GOLD FLASH ON SOLDER TAIL, NICKEL UNDERPLATING OVERALL
SHELL: STAINLESS STEEL, GOLD FLASH PLATING ON SOLDER AREA
HOOK: STAINLESS STEEL
SPRING: SW, NICKEL PLATING
 - PACKAGING: TAPE AND REEL
 - RoHS COMPLIANT
 - ORDER INFORMATION:
16810-XXATG2010
- CONTACT PLATING
00: GOLD FLASH
03: 3u" GOLD
05: 5u" GOLD



MICRO SIM CARD 8P PIN ASSIGNMENT

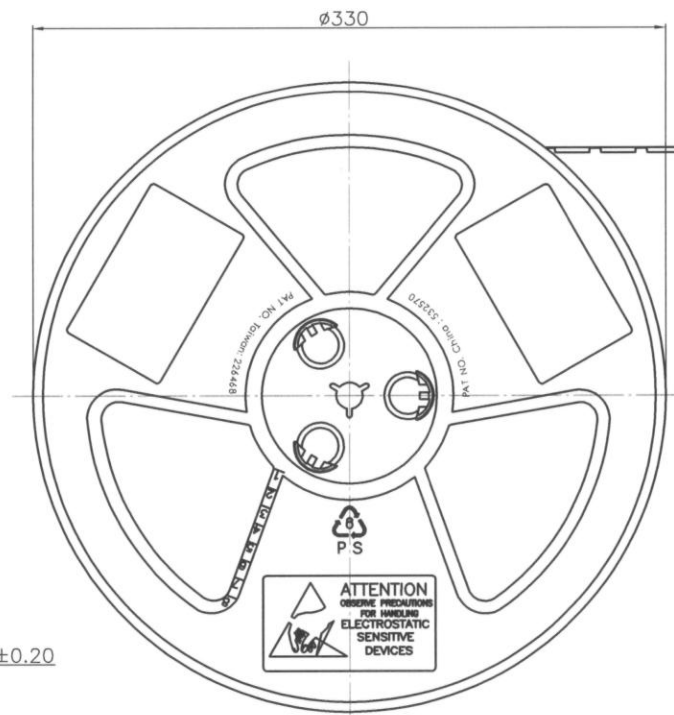


PIN NUMBER	DESCRIPTION
S1	Vcc (VOLTAGE)
S2	Vcc (RESET)
S3	CLK
S4	RESERVED
S5	GND
S6	Vpp
S7	I/O
S8	RESERVED

DWG NO.	C-16898-ATG020
P/N	SEE NOTE 4
DRAFT WHERE APPLICABLE MUST REMAIN WITHIN DIMENSIONS TOLERANCES	
X ±	X' ±
.XX ± 0.25	.XX' ± 2"
.XXX ± 0.15	.XXX' ±

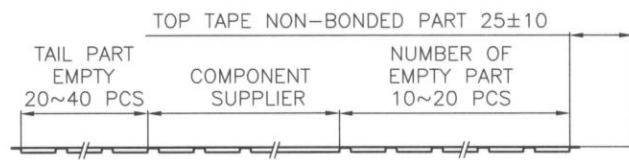
HT HUNG TA H.T. ENTERPRISE CO., LTD	
APPD:	TITLE: M-SIM SOCKET PUSH PUSH 1.7mm HEIGHT
CHKD:	SCALE: N/A
DR:	UNITS: mm
REV. 1.1	SHEET: 1 OF 2 DATE: 10/11/2013

REV.	MARK	ECN NO.	MODIFY DES.	DR.	DATE
A			NEW RELEASE	Ivy Hsu	10/11/2013
1.0	△		REVISE DIM.	Ivy Hsu	10/17/2013
1.1	△		ADD CARD INSERT	Ivy Hsu	10/28/2013

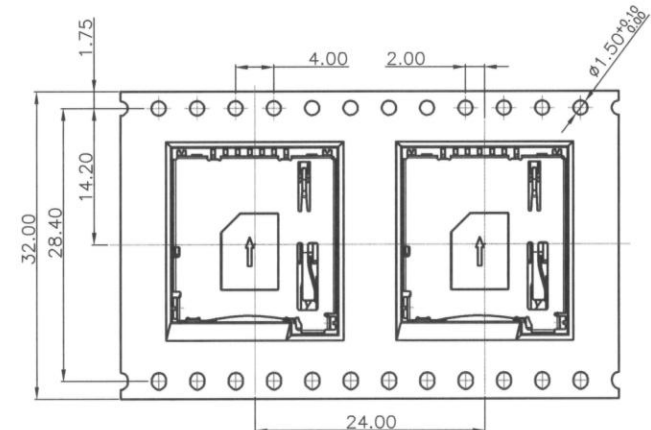
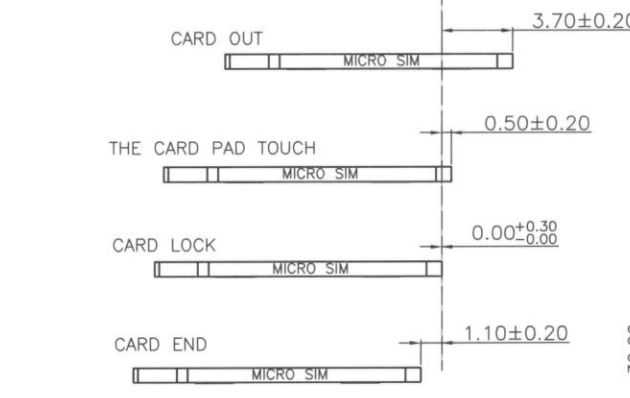
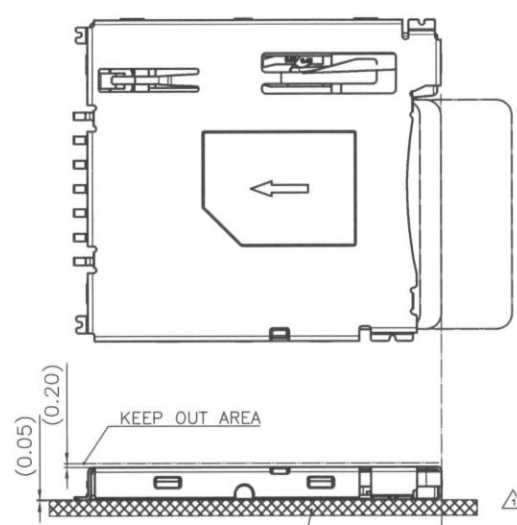


PULL OUT DIRECTION
→

- NOTE:
1. TAPPING QUANTITY OF CONNECTOR: 1,100 PCS/REEL
 2. TAPPING LEAD LENGTH



3. 8 REEL/ CARTON
4. 8,800 PCS/ CARTON



PULL OUT DIRECTION
→

DWG NO. C-16898-ATG020		HT HUNG TA H.T.ENTERPRISE CO.,LTD	
P/N	SEE PAGE 1	APPD:	TITLE:
DRAFT WHERE APPLICABLE MUST REMAIN WITHIN DIMENSIONS TOLERANCES		CHKD:	M-SIM SOCKET PUSH PUSH 1.7mm HEIGHT
X ±	X' ±	DR:	SCALE: N/A
.X ± 0.35	.X' ± z'	REV. 1.1	UNITS: mm
.XX ± 0.25	.XX' ±	SHEET: 2 OF 2	DATE: 10/11/2013
.XXX ± 0.15	.XXX' ±		