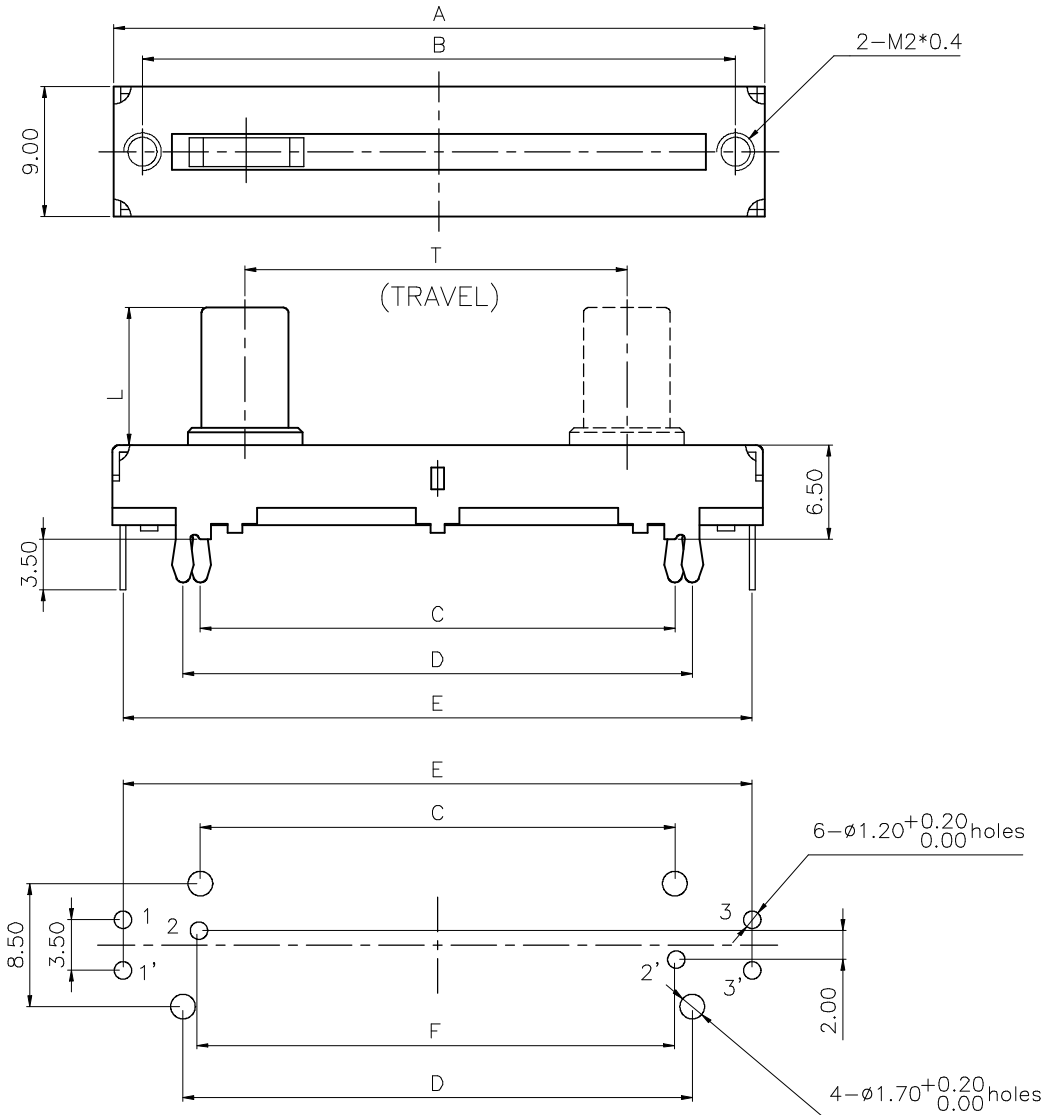


REV. A

MODEL: S□□21G - □A1

T X



P.C.B Position

MODEL	T	A	B	C	D	E	F
S1521G	15	30	26	17.8	20.2	28.5	18
S2021G	20	35	31	22.8	25.2	33.5	23
S3021G	30	45	41	32.8	35.2	43.5	33
S4521G	45	60	56	47.8	50.2	58.5	48
S6021G	60	75	71	62.8	65.2	73.5	63

MATERIAL	Metal lever																	
LEVER TYPE	CH				D				C				B					
DIMENSIONS																		
LENGTH(L)	X	M			X	P	Q	R	X	A	B	E	C	D	X	J		
	L	10.4			L	10	15	20	L	10	15	17.3	20	25	L	15		
	F	7			F	7	10	10	F	7	10	10	10	10				

MODEL: S□□21G / S□□23G

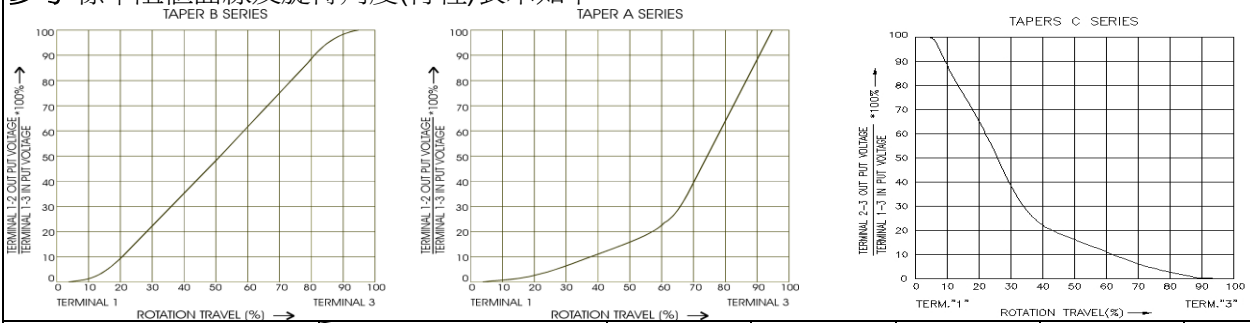
Mechanical characteristics:機械的性能:

Item<項目>	Performance<性能>
Tavel 行程	15、20、30、45、60 mm
Operating force 作動力	20~200 gf-cm
stopper strength 作動停止強度	5 kgf
Push-pull strength 軸推拉強度	5 kgf
Click position C.C.位置	Center click

Electrical characteristics:電氣的性能:

Item<項目>	Performance<性能>						
Total resistance 總阻值	1KΩ~1MΩ						
Total resistance tolerance 總阻值容許差	±20% (more than 1MΩ±30%)						
Residual resistance 殘留阻值	Total resistance 總阻值	10kΩ	50kΩ	100kΩ	200kΩ	500kΩ	1MΩ
	Between terminals 1-2 端子 1-2 間	10Ω	10Ω	10Ω	20Ω	20Ω	20Ω
	Between terminals 2-3 端子 2-3 間	10Ω	10Ω	20Ω	20Ω	50Ω	50Ω
Resistance taper 阻值線性	A/B/C						

Reference: Standard resistance tapers in reference to rotational angles(travel) are as shown below:
參考:標準阻值曲線及旋轉角度(行程)表示如下:



Rated power 定格電力 (W)	B	15mm	20mm	30mm	45mm	60mm
		Except B (B 以外)	0.012	0.025	0.05	0.06
Max. operating voltage 最高使用電壓 (AC V)	B	100	100	200	200	200
	Except B (B 以外)	50	50	150	150	150
Sliding noise 滑動雜音	Less than 100mV					
Insulation resistance 絕緣抵抗	More than 100MΩ at DC 250V					
Withstand voltage 耐電壓	300V AC(1 minute)					
Manual Soldering heat 手焊錫溫度	Below 300°C, Less than 3 seconds.					
Gang error 相互偏差(同步)	-40 to 0dB dB ≤ 3dB					

Durability:耐久的性能:

Item<項目>	Performance<性能>
Sliding life 滑動壽命	15,000 cycles