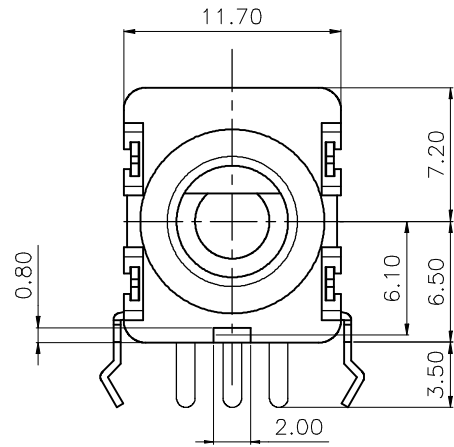
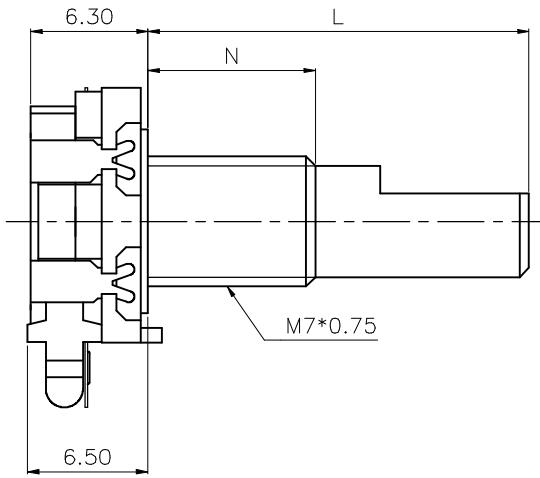
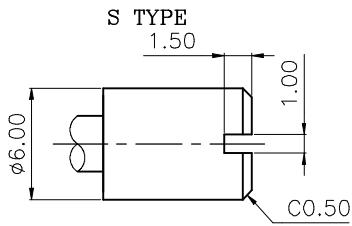
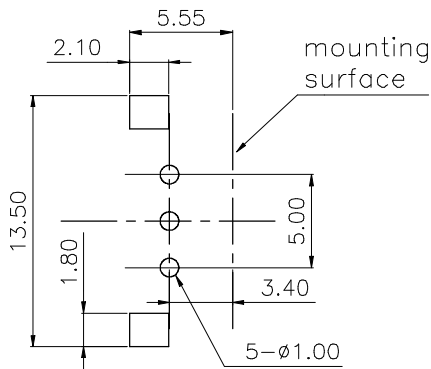


MODEL: R11N□E-□A1

W X



W	N	外徑
1	5	M7*0.75
2	7	有擋板
3	9	



N=5mm

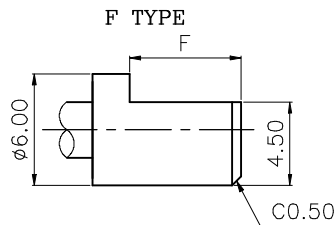
X	Q	R	S	T
X	15	20	25	30

N=7mm

X	Q	R	S	T
X	15	20	25	30

N=9mm

X	Q	R	S	T
X	15	20	25	30



N=5mm

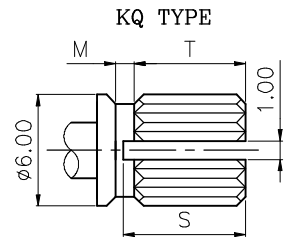
X	A	B	C	D
L	15	20	25	30
F	7.0	12.0	12.0	12.0

N=7mm

X	A	B	C	D
L	15	20	25	30
F	7.0	7.0	12.0	12.0

N=9mm

X	A	B	C	D
L	15	20	25	30
F	3.5	7.0	12.0	12.0



N=5mm

X	2	3	4	5
L	15	20	25	30
T	6.0	10.0	10.0	12.0
M	1.0	1.0	2.0	4.0
S	7.0	11.0	11.0	14.0

N=7mm

X	2	3	4	5
L	15	20	25	30
T	5.0	9.0	10.0	12.0
M	0.5	1.0	2.0	4.0
S	5.5	10.0	11.0	14.0

N=9mm

X	2	3	4	5
L	15	20	25	30
T	3.5	8.0	10.0	12.0
M	0.5	1.0	2.0	4.0
S	4.0	9.0	11.0	14.0

MODEL: R11N□E-□A1

Mechanical characteristics:機械的性能:

Item<項目>	Performance<性能>
Total rotational angle/travel 全迴轉角度/行程	360°
Click torque C.C.扭力	50~200 gf.cm
Push-pull strength 軸推拉強度	8 kgf
Click position C.C.位置	20/30 detent
Resolution 解析度	20/15 pulses

Electrical characteristics:電氣的性能:

Item<項目>	Performance<性能>
Withstand voltage 耐電壓	More than 300V AC (1 minute)
Rated power 定格電力	5V DC ,10mA
Insulation resistance 絕緣抵抗	More than 100MΩ at DC 300V
Manual Soldering heat 手焊錫溫度	Below 300°C, Less than 3 seconds.

Durability:耐久的性能:

Item<項目>	Performance<性能>
Rotational life 迴轉壽命	15,000 cycles