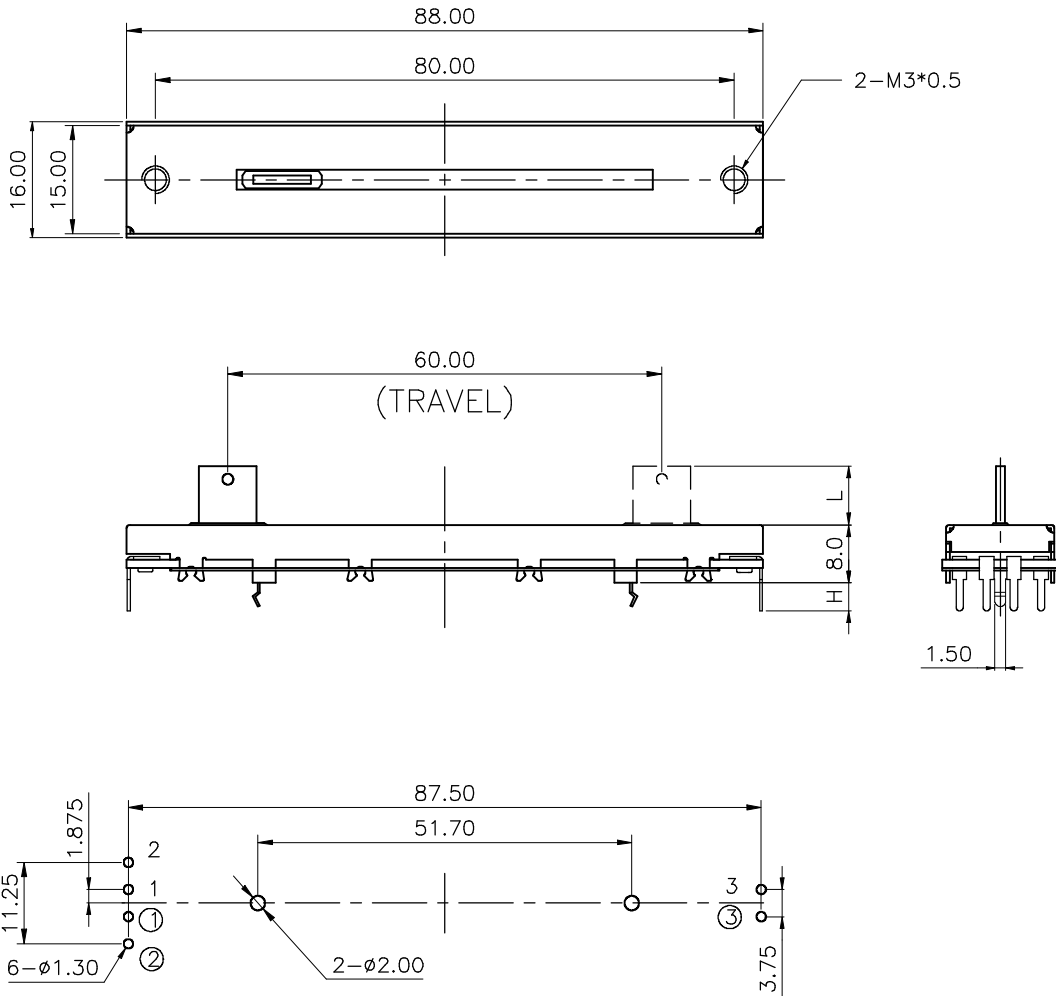


REV. A

MODEL: S6091G-
XYZ



TYPE	P.C.B Type			Solder Lug Type		
Y	A			B		
DIMENSIONS						
	Z	1		Z	1	
	H	4.0		H	4.0	

REV. A

MODEL: S □□ 91N/G

Metal lever (金屬柄)

LEVER TYPE	CH					D					
DIMENSIONS											
	X	1				X	X	D	Y		
LENGTH(L)	L	10.0				L	15.0	17.0	20.0		

LEVER TYPE	B					B1					
DIMENSIONS											
	X	J				X	L	M	N	O	
LENGTH(L)	L	15.0				L	8.0	10.0	12.0	20.0	

LEVER TYPE	C				
DIMENSIONS					
	X	B	C		
LENGTH(L)	L	15.0	20.0		

MODEL: S□□91G

Mechanical characteristics:機械的性能:

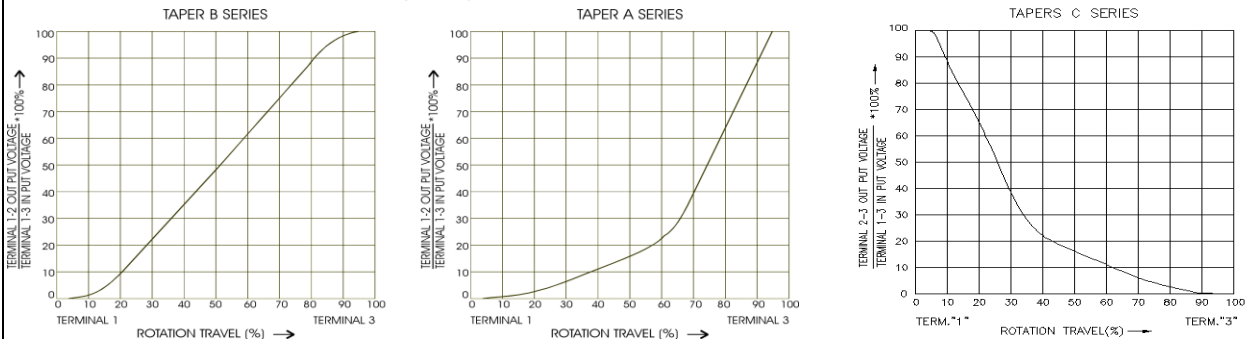
Item<項目>	Performance<性能>
Travel 行程	45、60、100mm
Operating force 作動力	20~260 gf-cm
stopper strength 作動停止強度	10Kgf/60 sec Measuring point: 10mm for travel 45~100mm
Push-pull strength 軸推拉強度	5 kgf (Max at 10 sec)

Electrical characteristics:電氣的性能:

Item<項目>	Performance<性能>
Resistance taper 阻值線性	A/B/C

Reference: Standard resistance tapers in reference to rotational angles(travel) are as shown below:

參考:標準阻值曲線及旋轉角度(行程)表示如下:



Total resistance 總阻值	1KΩ~1MΩ
Total resistance tolerance 總阻值容許差	±20% (more than 1MΩ±30%)
Max. operating voltage 最高使用電壓	B curve:100V Other than curve B:50V
Rated power 定格電力	B curve: 0.1W Other than curve B: 0.05W
Residual resistance 殘留阻值	$R \geq 250K\Omega$ 0.1% max. of total resistance $250K\Omega > R > 10K\Omega$ 20Ω max. $10K\Omega \geq R$ 10Ω max.
Sliding noise 滑動雜音	Less than 100mV
Insulation resistance 絕緣抵抗	More than 100MΩ at DC 250V
Manual Soldering heat 手焊錫溫度	Below 300°C, Less than 3 seconds.
Gang error 相互偏差(同步)	-40 to 0dB dB ≤ 3dB

Durability:耐久的性能:

Item<項目>	Performance<性能>
Sliding life 滑動壽命	15,000 cycles