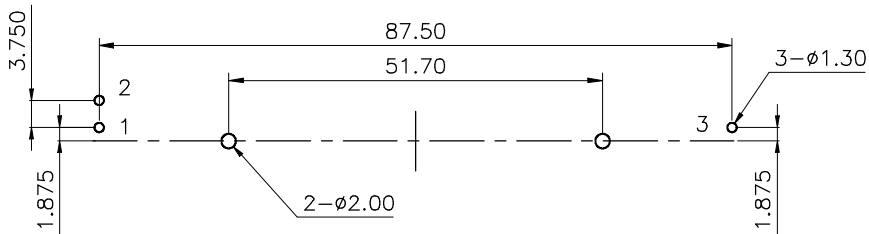
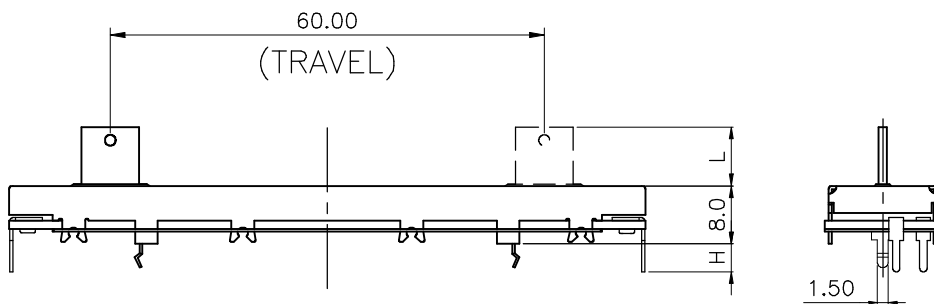
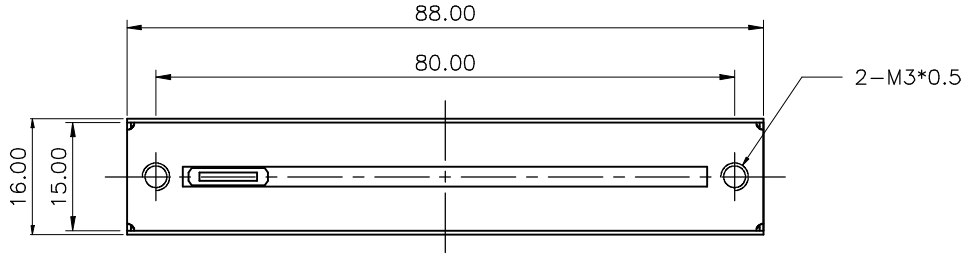


REV. A

MODEL: S6091N-     
 X Y Z



TYPE	P.C.B Type				Solder Lug Type			
Y	A				B			
DIMENSIONS								
	Z	1			Z	1		
	H	4.0			H	4.0		

REV. A

MODEL: S □□ 91N/G

Metal lever (金屬柄)

LEVER TYPE	CH					D					
DIMENSIONS											
	X	1				X	X	D	Y		
LENGTH(L)	L	10.0				L	15.0	17.0	20.0		

LEVER TYPE	B					B1					
DIMENSIONS											
	X	J				X	L	M	N	O	
LENGTH(L)	L	15.0				L	8.0	10.0	12.0	20.0	

LEVER TYPE	C				
DIMENSIONS					
	X	B	C		
LENGTH(L)	L	15.0	20.0		

# MODEL: S□□91N

Mechanical characteristics:機械的性能:

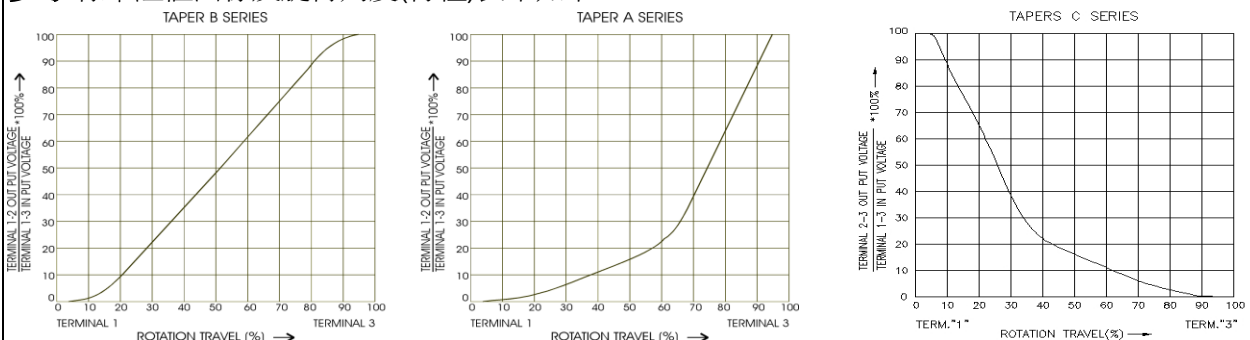
Item<項目>	Performance<性能>
Travel 行程	45、60、100mm
Operating force 作動力	20~260 gf-cm
stopper strength 作動停止強度	10Kgf/60 sec Measuring point: 10mm for travel 45~100mm
Push-pull strength 軸推拉強度	5 kgf (Max at 10 sec)

Electrical characteristics:電氣的性能:

Item<項目>	Performance<性能>
Resistance taper 阻值線性	A/B/C

**Reference:** Standard resistance tapers in reference to rotational angles(travel) are as shown below:

**參考:**標準阻值曲線及旋轉角度(行程)表示如下:



Total resistance 總阻值	1KΩ~1MΩ
Total resistance tolerance 總阻值容許差	±20% (more than 1MΩ±30%)
Max. operating voltage 最高使用電壓	B curve:100V Other than curve B:50V
Rated power 定格電力	B curve: 0.1W Other than curve B: 0.05W
Residual resistance 殘留阻值	$R \geq 250K\Omega$ 0.1% max. of total resistance $250K\Omega > R > 10K\Omega$ 20Ω max. $10K\Omega \geq R$ 10Ω max.
Sliding noise 滑動雜音	Less than 100mV
Insulation resistance 絕緣抵抗	More than 100MΩ at DC 250V
Manual Soldering heat 手焊錫溫度	Below 300°C, Less than 3 seconds.

Durability:耐久的性能:

Item<項目>	Performance<性能>
Sliding life 滑動壽命	15,000 cycles