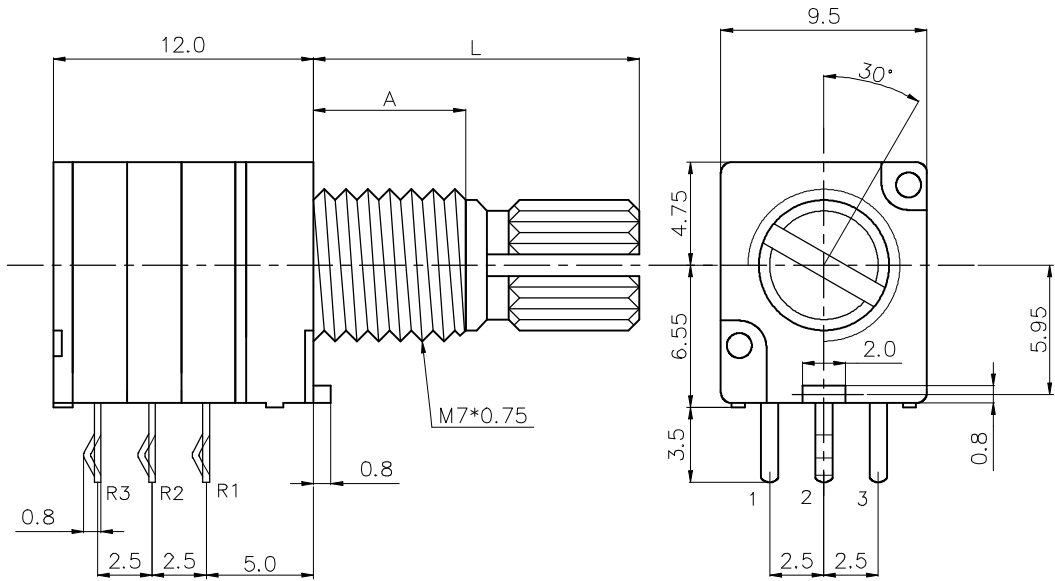


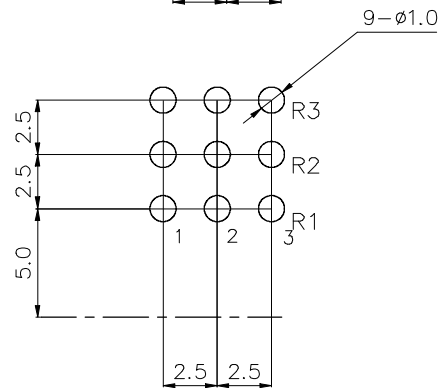
REV. A

MODEL: RD93 \square G - \square A1
W X

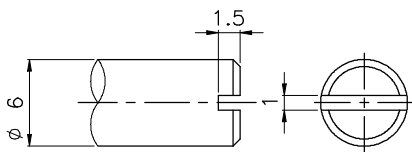


Witch bushing

W	5	7	0
A	5	7	10



Mounting hole detail

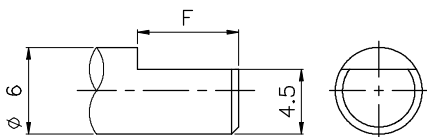


S TYPE:A=5mm

X	U	Q	R	S
L	8	15	20	25

S TYPE:A=7mm;10mm

X	Q	R	S
L	15	20	25



F TYPE:A=5mm

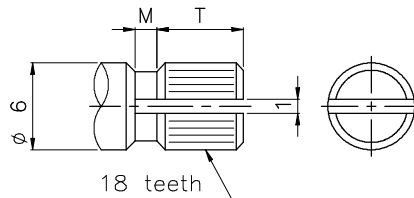
X	A	B	C	D	F	I	J	K	M	N	X
L	15	20	25	10	14	12.9	10	12	18	21.5	22
F	7	12	12	3	8	7	3.5	5	10	12	12

F TYPE:A=7mm

X	A	B	C	D	E	K
L	15	20	25	17	17.8	12
F	7	12	12	12	9	3.5

F TYPE:A=10mm

X	A	B	C	D	E
L	15	20	25	18	17
F	3.5	5	7	6.5	5



KQ TYPE:A=5mm

X	0	1	2	3	4	6	7	8	9
L	10	12	15	20	25	18	17	15	13
T	3.5	5.0	7.5	12	12	6	6	6	4
M	0.5	0.5	1	1.5	2	1	1.5	1	1

KQ TYPE:A=7mm

X	1	2	3	4	5
L	12	15	20	20	18
T	3.5	6	10	12	8.5
M	0.5	0.5	1	2	0.5

KQ TYPE:A=10mm

X	2	3	4
L	15	20	25
T	3.5	6.5	12
M	0.5	2	2

MODEL: RD9□□G-

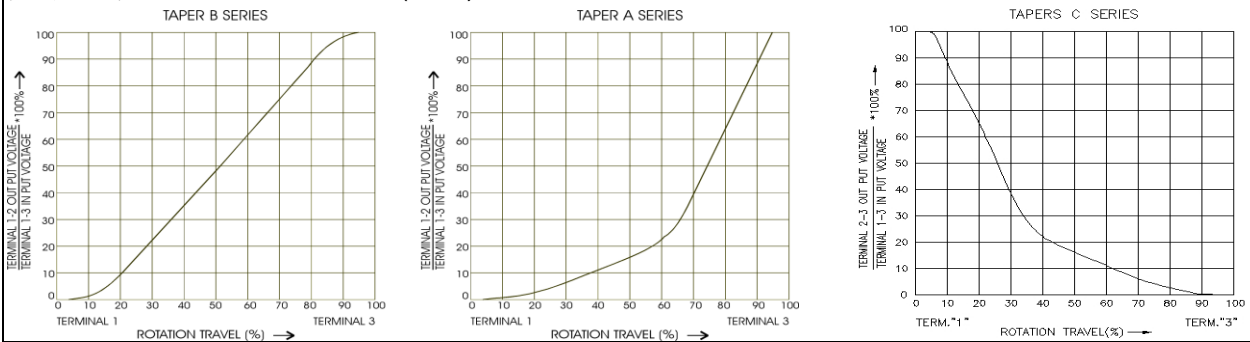
Mechanical characteristics:機械的性能:

Item<項目>	Performance<性能>
Total rotational angle/travel 全迴轉角度/行程	300°±10°
Rotation torque 迴轉扭力	10~200 gf-cm
Shaft rotational stopper strength 軸的止迴轉強度	4 kgf-cm
Push-pull strength 軸推拉強度	push=6 kgf / pull=4 kgf
Click position C.C.位置	Center click、31 click、41 click

Electrical characteristics:電氣的性能:

Item<項目>	Performance<性能>
Resistance taper 阻值線性	A/B/C

Reference: Standard resistance tapers in reference to rotational angles(travel) are as shown below:
參考:標準阻值曲線及旋轉角度(行程)表示如下:



Total resistance 總阻值	10KΩ~500KΩ
Total resistance tolerance 總阻值容許差	±20% (more than 1MΩ±30%)
Max. operating voltage 最高使用電壓	B curve:50V Other than curve B:25V
Rated power 定格電力	B curve:0.05W Other than B curve:0.025W
Residual resistance 殘留阻值	$R \geq 250K\Omega$ 0.1% max. of total resistance $250K\Omega > R > 10K\Omega$ 20Ω max. $10K\Omega \geq R$ 10Ω max.
Rotational/sliding noise 迴轉/滑動雜音	Less than 100mV
Withstand voltage 耐電壓	More than 300V AC(1 minute)
Insulation resistance 絕緣抵抗	More than 100MΩ at DC 250V
Gang error 相互偏差(同步)	-40 to 0dB dB≤3dB
Manual Soldering heat 手焊錫溫度	Below 300°C, Less than 3 seconds.

Durability:耐久的性能:

Item<項目>	Performance<性能>
Rotational/sliding life 迴轉/滑動壽命	10,000 cycles