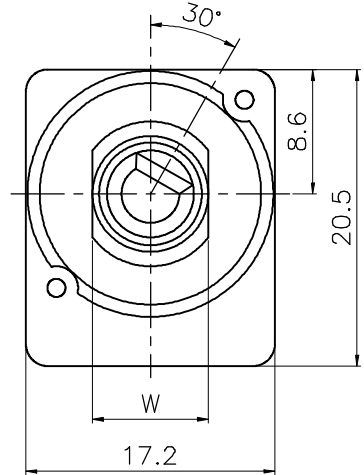
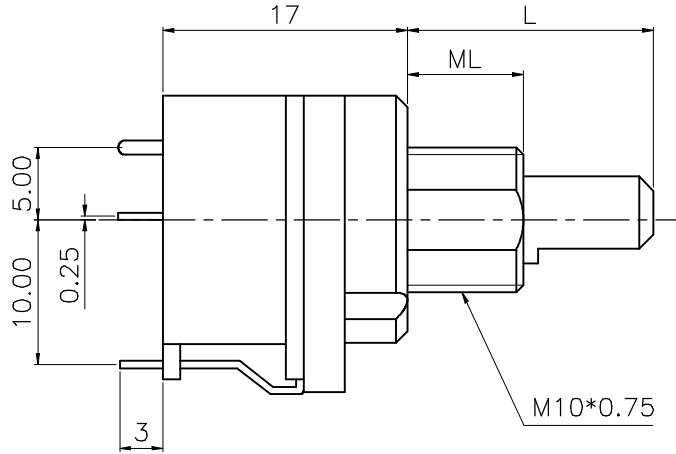


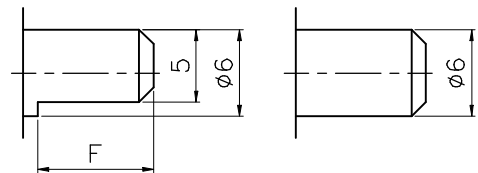
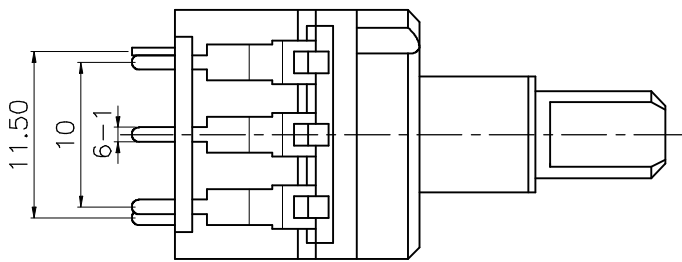
REV. A

MODEL: R16R□S-□D1
W X

W	2	4	6
Shaft Materials	PLASTIC	PLASTIC	PLASTIC
ML	8	9	10.5
W	8	9	8



shaft shown in full C.C.W. position

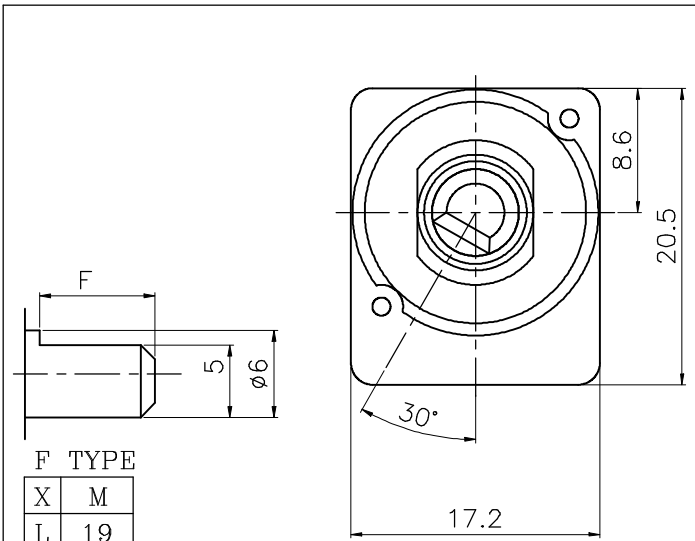
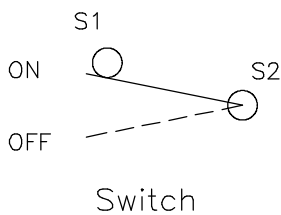
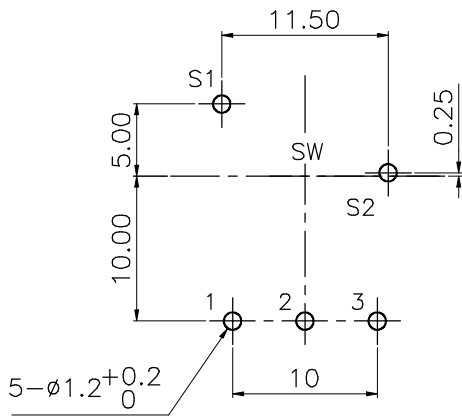


F TYPE

X	1	2
L	17	19
F	8	8

S TYPE

X	4
L	19



shaft shown in full C.C.W. position

F TYPE

X	M
L	19
F	8

MODEL: R16R□S

Mechanical characteristics:機械的性能:

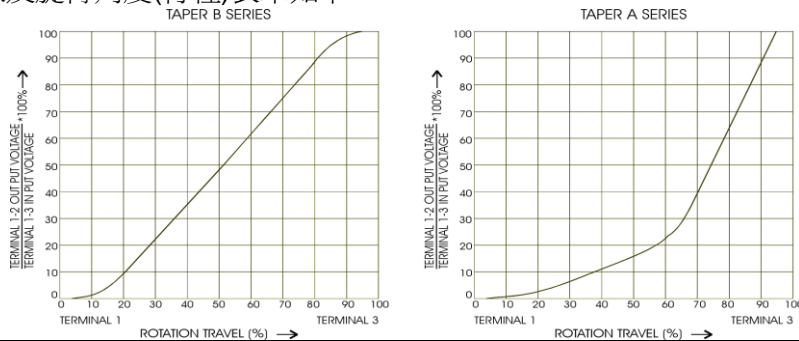
Item<項目>	Performance<性能>
Total rotational angle/travel 全迴轉角度/行程	300°±5°
Rotation torque 迴轉扭力	20~200 gf-cm
Shaft rotational stopper strength 軸的止迴轉強度	5 kgf-cm
Push-pull strength 軸推拉強度	8 kgf
Click position C.C.位置	16 Click

Electrical characteristics:電氣的性能:

Item<項目>	Performance<性能>
Resistance taper 阻值線性	A/B

Reference: Standard resistance tapers in reference to rotational angles(travel) are as shown below:

參考:標準阻值曲線及旋轉角度(行程)表示如下:



Total resistance 總阻值	5KΩ~1MΩ
Total resistance tolerance 總阻值容許差	±20% (more than 1MΩ±30%)
Max. operating voltage 最高使用電壓	B curve:200V Other than B curve:150V
Switch working voltage 開關功率	250V AC , 10A
Rated power 定格電力	B curve:0.2W Other than B curve:0.05W
Residual resistance 殘留阻值	$R \geq 250K\Omega$ 0.1% max. of total resistance $250K\Omega > R > 10K\Omega$ 20Ω max. $10K\Omega \geq R$ 10Ω max.
Withstand voltage 耐電壓	UL : 1000 V AC (1 minute) VDE : 1500 V AC (1 minute)
Rotational/sliding noise 迴轉/滑動雜音	Less than 100mV
Insulation resistance 絕緣抵抗	More than 100MΩ at DC 250V
Manual Soldering heat 手焊錫溫度	Below 300°C, Less than 3 seconds.

Durability:耐久的性能:

Item<項目>	Performance<性能>
Rotational/sliding life 迴轉/滑動壽命	15,000 cycles
Switch life 開關壽命	UL : 6,000 cycles VDE : 10,000 cycles