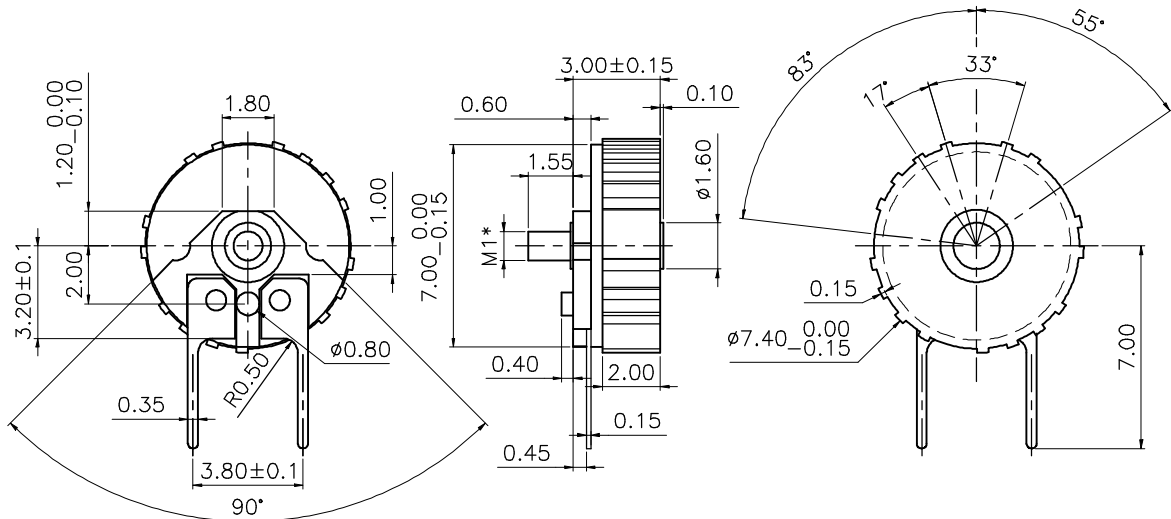
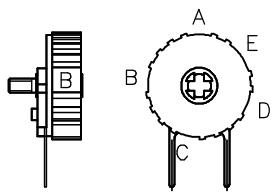


REV. A

MODEL: R071TN-0A1



knob shown in full  
C.C.W. position



C.C.W. position

字模代碼	0101	0102	0103	0104
位置代碼				
A	Λ	∇	1	4
B	3	Σ	2	3
C	6	乙	3	2
D	9	↓	4	1
E				

# MODEL: R071TN-0A1

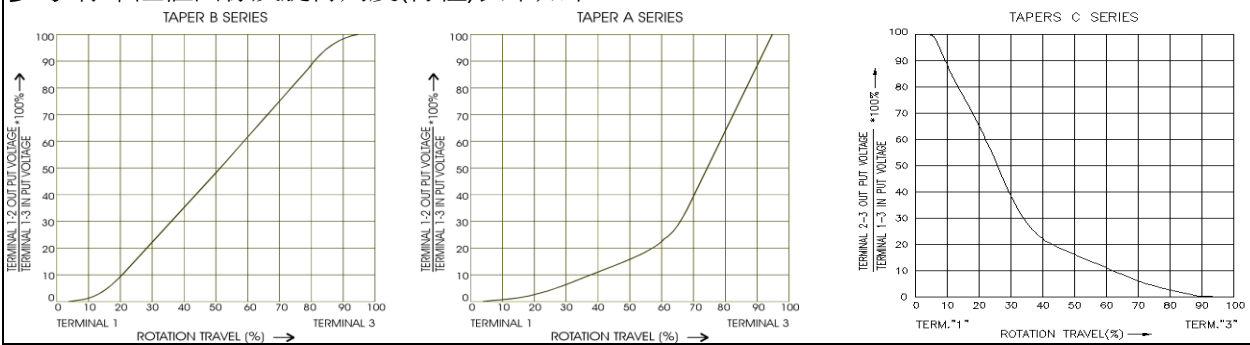
Mechanical characteristics:機械的性能:

Item<項目>	Performance<性能>
Total rotational angle/travel 全迴轉角度/行程	250°±5°
Rotational stopper strength 止迴轉強度	300 gf.cm
Rotation torque 迴轉扭力	3~10 gf.cm
Fixation nut mounting torque 固定螺帽扭力	Max. 200 gf.cm

Electrical characteristics:電氣的性能:

Item<項目>	Performance<性能>
Resistance taper 阻值線性	A/B/C

**Reference:** Standard resistance tapers in reference to rotational angles(travel) are as shown below:  
**參考:**標準阻值曲線及旋轉角度(行程)表示如下:



Total resistance 總阻值	500Ω~1MΩ
Total resistance tolerance 總阻值容許差	±20% (more than 1MΩ±30%)
Residual resistance 殘留阻值	R ≥ 250KΩ 0.1% max. of total resistance 250KΩ > R > 10KΩ 20Ω max. 10KΩ ≥ R 10Ω max.
Rotational/sliding noise 迴轉/滑動雜音	Less than 100mV

Durability:耐久的性能:

Item<項目>	Performance<性能>
Rotational/sliding life 迴轉/滑動壽命	25,000 cycles